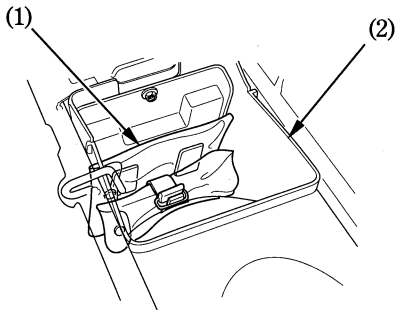


## DOCUMENT BAG

The document bag (1) is in the tool box (2).  
The tool box is under the seat.

To access the document, remove the seat  
(page 34 ).

This owner's manual and other documents  
should be stored in the document bag.  
When washing your motorcycle, be careful  
not to flood this area with water.

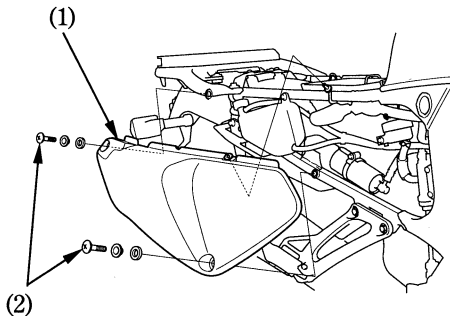


(1) Document bag

(2) Tool box

## SIDE COVER

To remove the right and left side covers (1),  
remove the seat (page 34 ), remove the  
screws (2) and then pull out the side cover.



(1) Side cover

(2) Screws