

Wear inspection:

Check the chain wear label when adjusting the chain. If the red zone (5) on the chain adjuster label aligns with the center of the stopper pin (6) after the chain has been adjusted to the proper slack, the chain is excessively worn and must be replaced. The proper slack is :

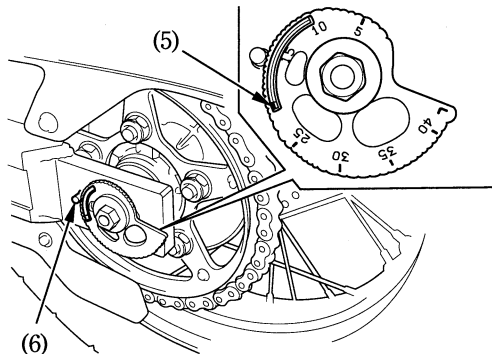
35 – 45 mm (1.4 – 1.8 in)

Replacement chain:

DID525 V8

or

RK525 SM5



(5) Red zone

(6) Stopper pin