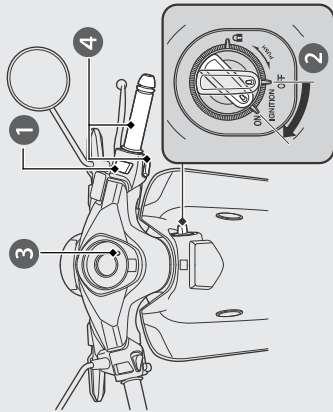


Starting the Engine


Start your engine using the following procedure, regardless of whether the engine is cold or warm.

This motorcycle is equipped with a Honda SMART Key system. Always keep Honda SMART Key on you when you ride the motorcycle. **➔ P.31**



NOTICE

- If the engine does not start within 5 seconds, turn the ignition switch to the OFF position and wait 10 seconds before trying to start the engine again to recover battery voltage.
- Extended fast idling and revving the engine can damage the engine, and the exhaust system.
- Snapping the throttle or fast idling for more than about 5 minutes may cause exhaust pipe discoloration.

- 1 Make sure the engine stop switch is in the  (Run) position.
- 2 Turn the ignition switch to the ON position.
- 3 Shift the transmission to Neutral (N) indicator to come on).
- 4 Press the start button with the throttle completely closed.