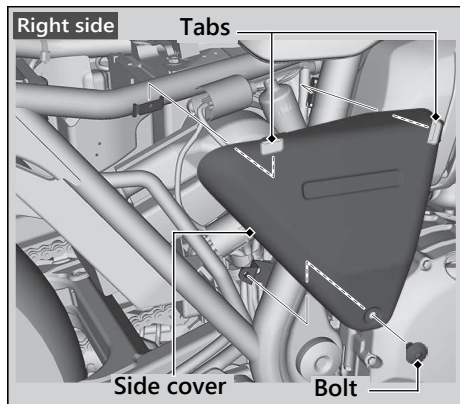


Side Cover



The right and left side covers can be removed in the same manner.

Removal

1. Remove the bolt.
2. Remove the side cover by releasing the tabs.

Installation

Install the parts in the reverse order of removal.