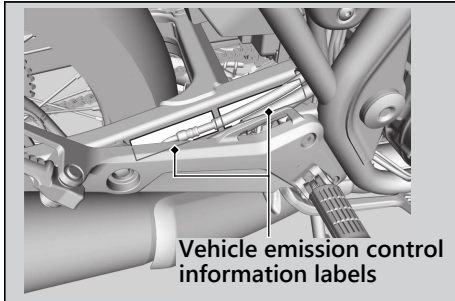


**Canada** The Vehicle Emission Control Information label is located right side of the swingarm.



### **Noise Emission Requirements**

The EPA requires that motorcycles built after January 1, 1983 comply with applicable noise emission standards for one year or 3,730 miles (6,000 km) after the time of purchase when operated and maintained according to the instructions provided.

### **Exhaust Emission Control System**

The exhaust emission control system includes the following components that should not need adjustment, although periodic inspection by your dealer is recommended.

### **PGM-FI System**

The PGM-FI (programmed fuel injection) system uses sequential multiport fuel injection, and is comprised of air intake, engine control, fuel control, and exhaust control subsystems. The engine control module (ECM) uses sensors to determine how much air enters the engine, and then controls how much fuel to inject.