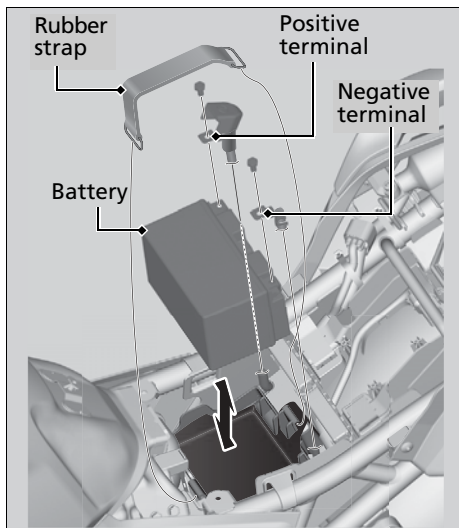


## Battery



### Removal

Make sure the ignition switch is off.

1. Remove the seat. ➤ P. 61
2. Unhook the rubber strap from rear side.
3. Disconnect the negative  $\ominus$  terminal from the battery.
4. Disconnect the positive  $\oplus$  terminal from the battery.
5. Remove the battery taking care not to drop the terminal nuts.

### Installation

Install the parts in the reverse order of removal. Always connect the positive  $\oplus$  terminal first. Make sure that bolts and nuts are tight.

Make sure the clock is set to the proper time after the battery is reconnected. ➤ P. 25  
For proper handling of the battery, see "Maintenance Fundamentals." ➤ P. 48  
"Battery Goes Dead." ➤ P. 101