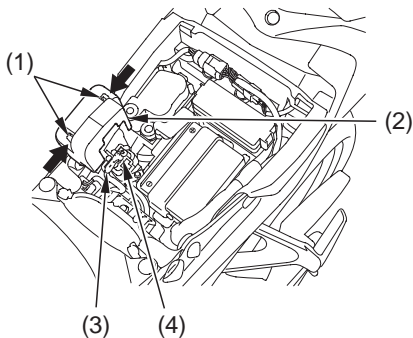


## If a Fuse Blows

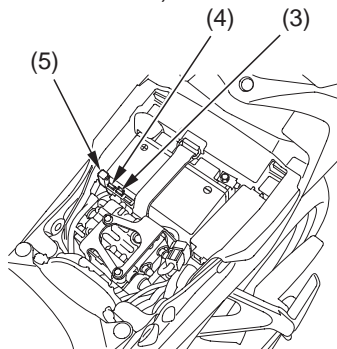
---

UNDER FRONT SEAT  
(CBR1000RR)



- (1) tabs
- (2) starter motor magnetic switch
- (3) main fuse
- (4) FI fuse

(CBR1000RR ABS)



- (5) main and FI fuse box cover