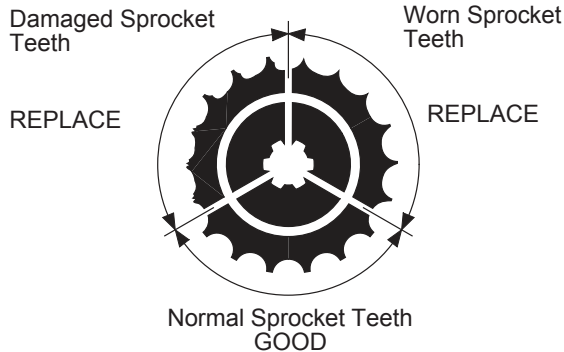


6. Inspect the front and rear sprocket teeth for excessive wear or damage. If necessary, have your dealer replace a worn sprocket.

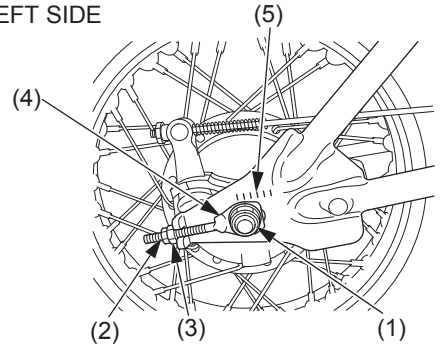


NOTICE

Use of a new chain with worn sprockets will cause rapid chain wear.

Adjustment

LEFT SIDE



- (1) rear axle nut
(2) lock nut
(3) adjusting nut
(4) chain adjuster
(5) graduated scale

1. Loosen the rear axle nut (1).
2. Loosen the lock nuts (2) on both sides of the swingarm.

(cont'd)