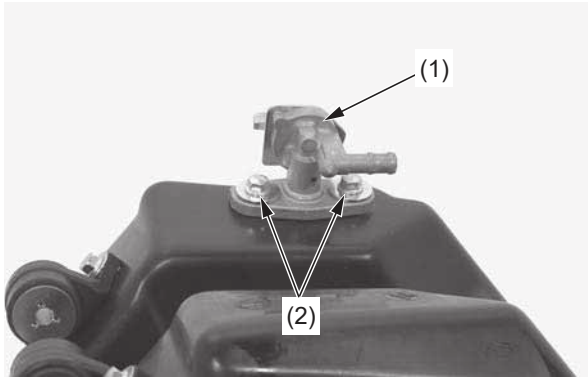


Fuel Filter

The fuel filter is mounted on the bottom left side of the fuel tank. Dirt accumulated in the filter will restrict the flow of the fuel to the carburetor. Therefore, the fuel filter should be serviced frequently.

To service the fuel filter:

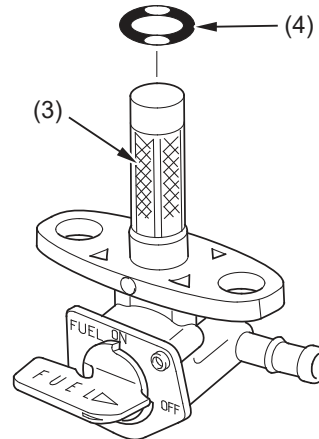
1. Drain the fuel from the fuel tank into an approved gasoline container.
2. Remove the fuel tank (page 30)
3. Remove the fuel valve (1) from the fuel tank by removing the bolts/collars (2).



(1) fuel valve

(2) bolts/collars

4. Wash the fuel filter (3) in high flash-point cleaning solvent.
5. Make sure the O-ring (4) is in good condition and install it onto the fuel valve.
6. Install the fuel valve in the fuel tank by tightening the bolts/collars to the specified torque:
7 lbf·ft (10 N·m, 1.0 kgf·m)
7. Install the fuel tank (page 31) and refill the fuel.
Turn the fuel valve ON; check for leaks.



(3) fuel filter

(4) O-ring