

Cargo Compartment

Your motorcycle comes with a front fairing pocket and a lockable shelter case and dual saddlebags.

Instructions on how to open, close, and lock these compartments follow.

Saddlebags

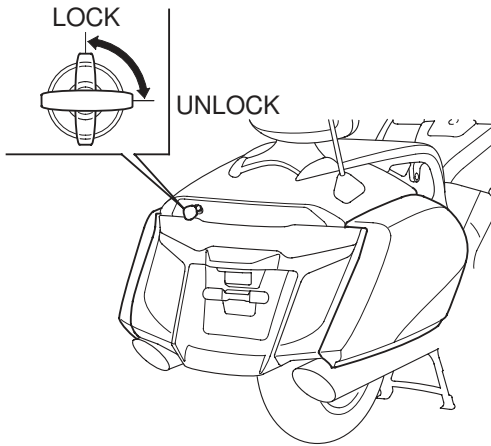
The saddlebags are for lightweight items.

Cargo in both saddlebags should not exceed:

20.0 lb (9.0 kg) each

However, regardless of compartment capacity, be sure you do not exceed the maximum load and cargo weight limits ([page 42](#)).

To Lock & Unlock the Saddlebags



The saddlebags can be locked and unlocked with the ignition key.

To unlock:

Insert the ignition key and turn it clockwise.

To lock:

Insert the ignition key and turn it counterclockwise.