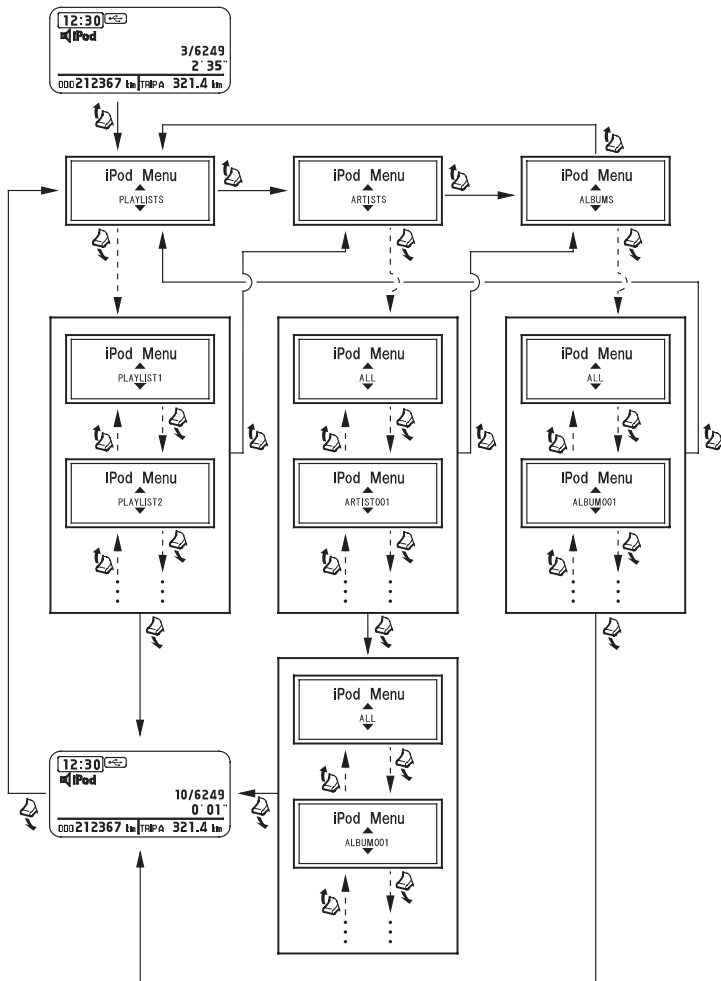


# iPod®/USB Flash Drive



Push the TUNE/CH lever: 

Push and hold the TUNE/CH lever: 

Push the TUNE/CH lever up: 

Push the TUNE/CH lever down: 