

Final Drive Oil

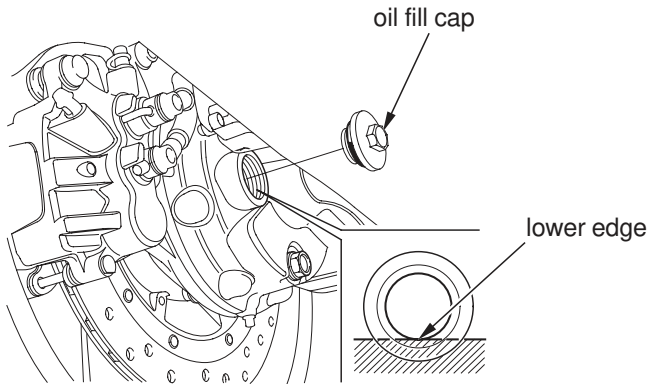
Oil Recommendation

type	hypoid gear oil
viscosity (weight)	SAE 80

Checking & Adding Oil

Refer to *Safety Precautions* on [page 118](#).

RIGHT REAR



(Models equipped with center stand)

1. Place the motorcycle on its center stand on a firm, level surface.

(Models not equipped with center stand)

1. Hold the motorcycle upright on firm level ground.
2. Remove the oil fill cap.
3. Check the oil level. It should be flush with the lower edge of the oil fill hole.
4. If the level is low, check for oil leaks. Add the recommended oil through the oil fill hole until it reaches the lower edge of the opening.
5. Install the oil fill cap.