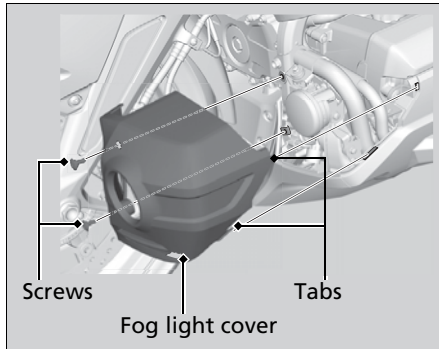


## Fog Light Cover



The right and left fog light cover can be removed in the same way.

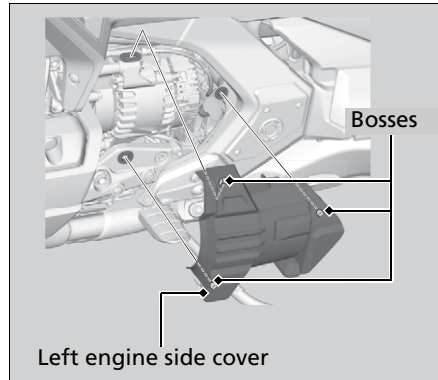
### Removal

1. Remove the screws.
2. Release the tabs from the cylinder head side cover.
3. Remove the fog light cover.

### Installation

Install the parts in the reverse order of removal.

## Left Engine Side Cover



### Removal

1. Release the bosses from the grommets.
2. Remove the left engine side cover.

### Installation

Install the parts in the reverse order of removal.