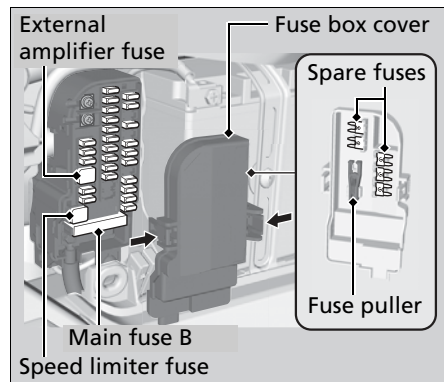
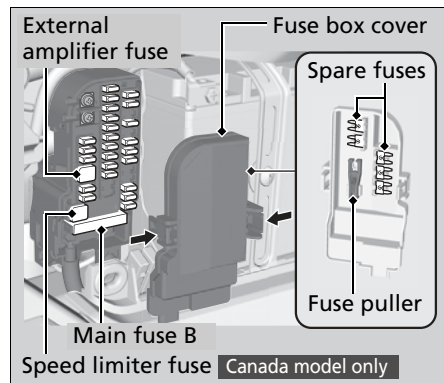


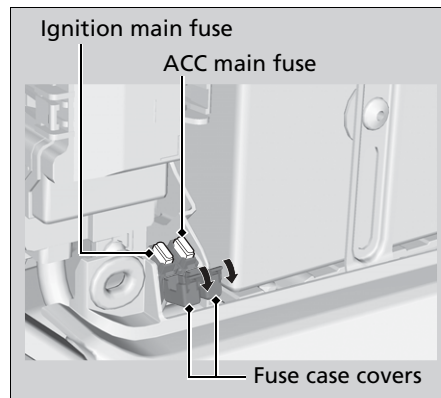
GL1800



GL1800B



Ignition Main Fuse & ACC Main Fuse



NOTICE

If a fuse fails repeatedly, you likely have an electrical problem. Have your vehicle inspected by your dealer.

1. Remove the left side cover. ► P. 156
2. Remove the fuse case covers.
3. Pull the fuses out one by one with the fuse puller and check for a blown fuse. Always replace a blown fuse with a spare fuse of the same rating.
 - Spare fuses and fuse puller are provided on back side of the fuse box cover.
4. Install the parts in the reverse order of removal.