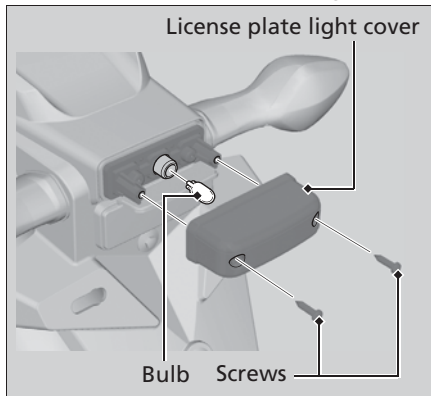


License Plate Light Bulb

1. Remove the screws.
2. Remove the license plate light cover.
3. Pull out the bulb without turning.



4. Install a new bulb and parts in the reverse order of removal.