

# Rear Mudguard Lid Removal

---

Refer to *Safety Precautions* on page 123.

The rear mudguard lid must be removed to add the engine oil, and to access the emergency valve and emergency lever.

## Removal

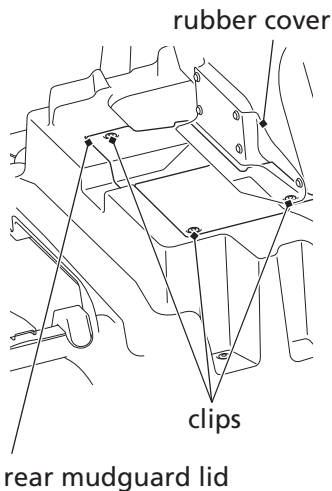
1. Lift the cargo bed (page 81).
2. Remove the clips (page 142).

## Installation

1. Install the clips and return the rubber cover to its original position.
2. Lower the cargo bed.

### UNDER CARGO BED

(SXS1000M3P/M3D/M3L)



(SXS1000M5P/M5D/M5L)

