

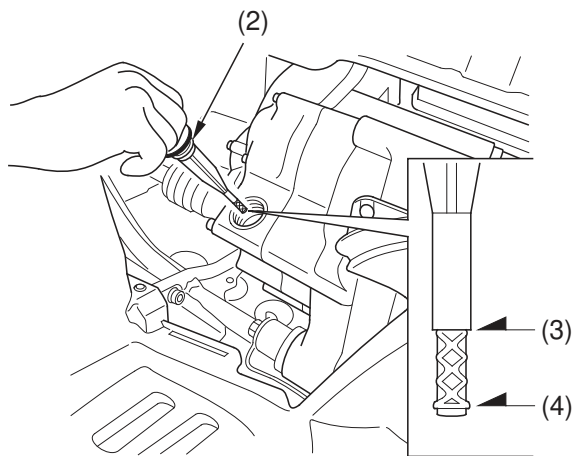
Engine Oil & Filter

5. Remove the oil fill cap/dipstick (2) from the front crankcase and wipe it clean.
6. Insert the oil fill cap/dipstick without screwing it in, then remove the oil fill cap/dipstick and check the oil level. The oil level should be between the upper level mark (3) and the lower level mark (4) on the oil fill cap/dipstick.
7. If required, add the specified oil into the fill cap hole, up to the upper level mark on the oil fill cap/dipstick. Do not overfill.
8. Reinstall the oil fill cap/dipstick.
9. Install the left side cover.
10. Install the seat.

NOTICE

Running the engine with an improper oil level can cause serious engine damage.

LEFT SIDE



(2) oil fill cap/dipstick

(3) upper level mark

(4) lower level mark