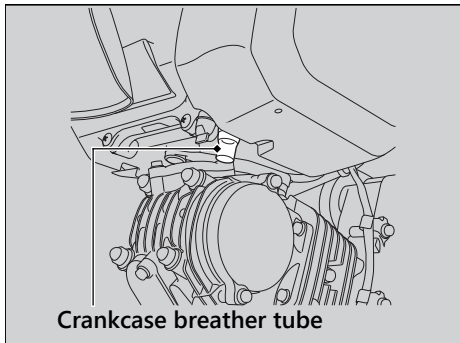


Cleaning the Crankcase Breather

1. Place a suitable container to receive deposits.
2. Remove the crankcase breather tube and drain deposits.
3. Reinstall the crankcase breather tube.



Crankcase breather tube