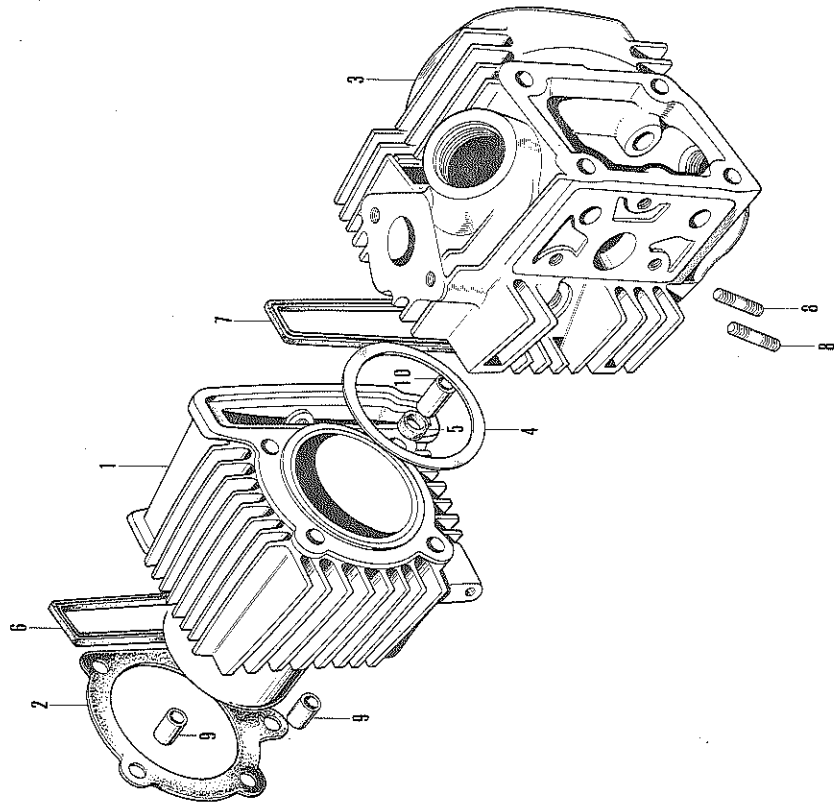


E-2 CYLINDER-CYLINDER HEAD



E-2 CYLINDER-CYLINDER HEAD

Ref. No.	Part No.	Description	Reqd. No.		
			ATC	No. Used on	
			90	From	To
1	12100-918-000	CYLINDER	1		
2	12181-028-020	GASKET, cylinder	1		
3	12200-028-120	HEAD, cylinder	1		
4	12251-028-030	GASKET, cylinder head	1		
5	12261-028-000	GASKET, cylinder stud	1		
6	12901-028-020	GASKET A, cam chain chamber	1		
7	12902-028-020	GASKET B, cam chain chamber	1		
8	92700-06032	BOLT, stud, 6x32	2		
9	94301-10140	PIN, knock, 10x14	2		
10	94301-10200	PIN, knock, 10x20	1		

I.A.