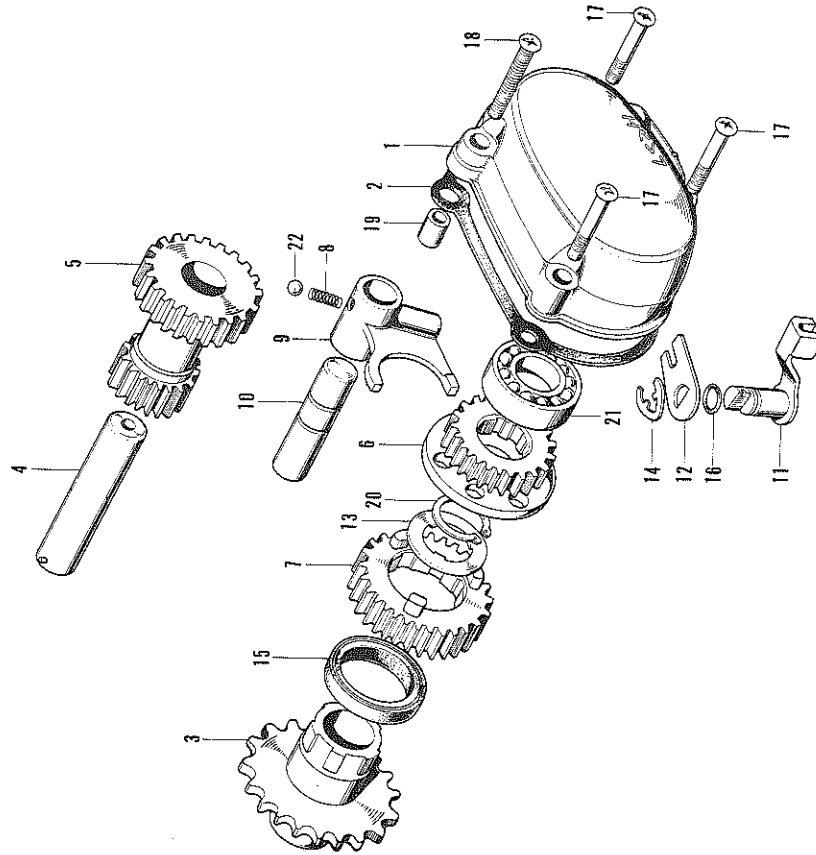


E-4 SUB TRANSMISSION

E-4 SUB TRANSMISSION

Ref. No.	Part No.	Description	Read. No.		ATC	No. Used on	
			90	91		From	To
1	11371-053-020	COVER, sub transmission	1				
2	11693-053-030	GASKET, sub transmission cover	1				
3	23800-053-000	SPROCKET, drive (15T)	1				
4	23900-053-000	SHAFT, sub transmission counter	1				
5	23910-053-010	GEAR, sub transmission counter (15X22T)	1				
6	23921-053-010	GEAR, sub transmission low (22T)	1				
7	23931-053-010	GEAR, sub transmission high (28T)	1				
8	24271-053-010	SPRING, ball set	1				
9	24801-053-000	FORK, sub transmission shift	1				
10	24811-053-000	SHAFT, shift fork	1				
11	24821-053-030	SHAFT, sub change	1				
12	24831-053-010	ARM, sub change	1				
13	90456-053-000	WASHER, spline, 20mm	1				
14	90601-053-010	CIR-CLIP, 8.6mm	1				
15	91202-053-000	OIL-SEAL, 31X43X8	1				
16	91301-053-000	O RING, 7.5X1.5	1				
17	93500-06030	SCREW, pan, 6X30	3				
18	93500-06040	SCREW, pan, 6X40	1				
19	94301-10140	PIN, knock, 10X14	1				
20	94510-20000	CIR-CLIP, 20mm	1				
21	96100-62020	BEARING, ball, 6202	1				
22	96211-08000	BALL, steel, #8	1				



I.A.