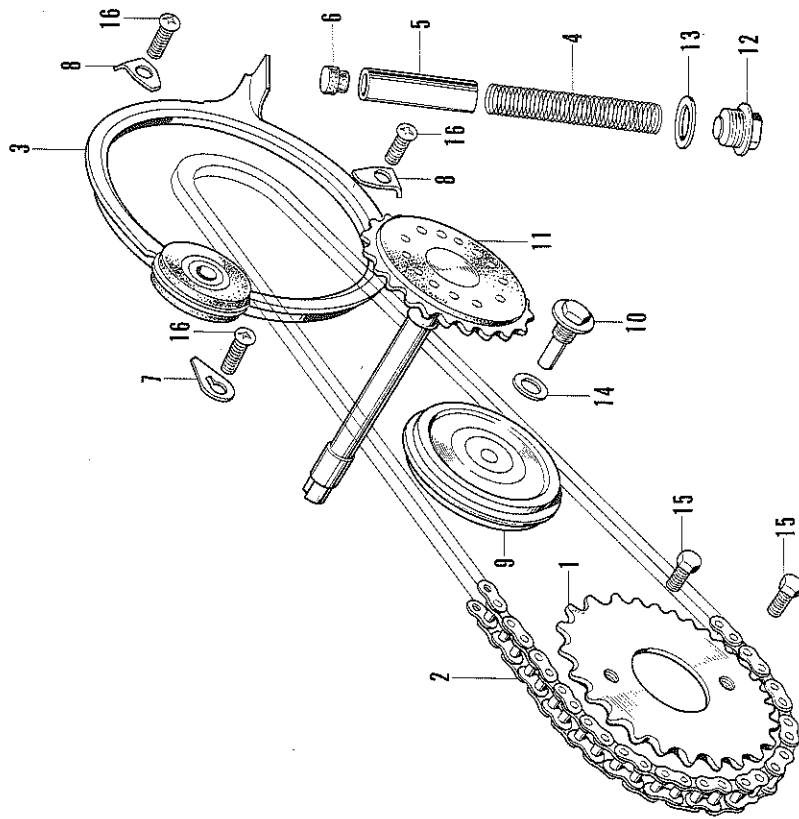


E-6 CAM CHAIN-CHAIN TENSIONER

E-6 CAM CHAIN-CHAIN TENSIONER

Ref. No.	Part No.	Description	Reqd. No. ATC 90	No. Used on	
				From	To
1	14321-028-000	SPROCKET, cam (30T)	1		
2	14401-028-003 <i>14500-028-000</i>	CHAIN, cam (DK 211 H X 86 L, DAIDO)	1		
3	14500-028-000	TENSIONER, cam chain	1		
4	14541-028-020	SPRING, tensioner	1		
5	14552-028-020	ROD, tensioner push	1		
6	14561-028-010	RUBBER, tensioner cushion	1		
7	14592-028-010	PLATE A, tensioner setting	1		
8	14593-028-010	PLATE B, tensioner setting	2		
9	14610-028-010	ROLLER, cam chain guide	1		
10	14615-035-000	PIN, guide roller	1		
11	14670-028-000	SPROCKET, cam chain guide (29T)	1		
12	90081-035-000	BOLT, sealing, 14mm	1		
13	90441-035-000	WASHER, sealing, 14mm	1		
14	90481-035-000	WASHER, 8mm	1		
15	92000-06010	BOLT, hex, 6X10	2		
16	33500-06010	SCREW, pan, 6X10	3		



I.A.