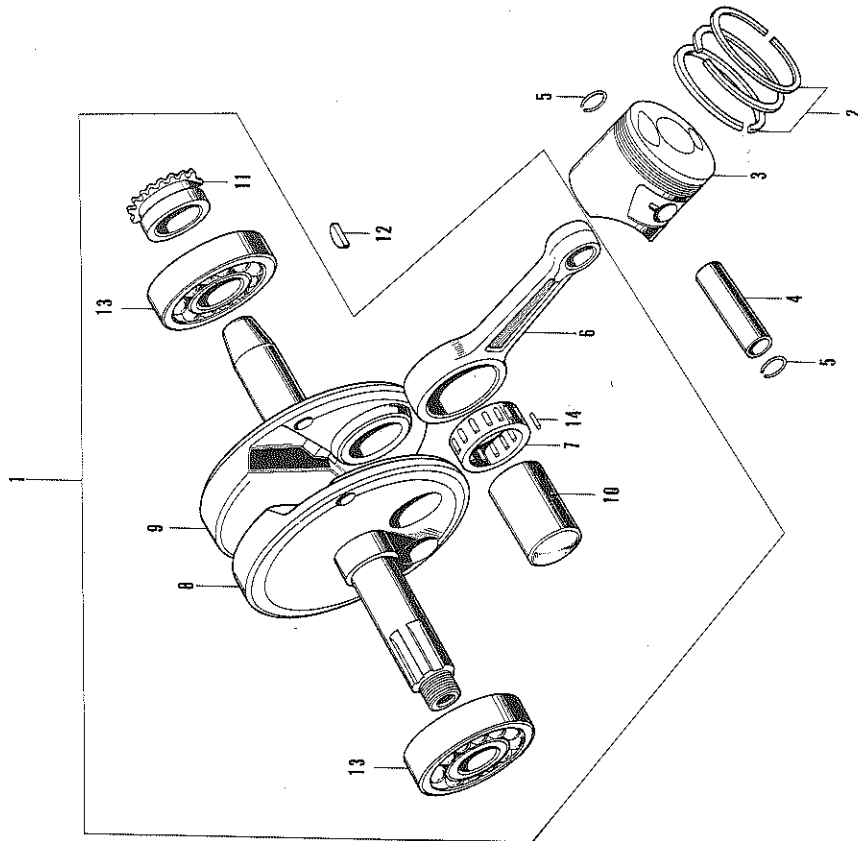


E-9 CRANKSHAFT-PISTON

E-9 CRANKSHAFT-PISTON

Ref. No.	Part No.	Description	Rod No.		No. Used on
			ATC 90	To	
1	13000-071-010	CRANKSHAFT ASSY.	1		1
2 *	13010-028-020	RING-SET, piston (STD.)	1		1
3 *	13020-028-020	RING-SET, piston (+0.25)	(1)		(1)
4 *	13030-028-020	RING-SET, piston (+0.50)	(1)		(1)
5 *	13040-028-020	RING-SET, piston (+0.75)	(1)		(1)
6 *	13050-028-020	RING-SET, piston (+1.00)	(1)		(1)
3 *	13101-028-070	PISTON (STD.)	1		1
4 *	13102-028-070	PISTON (+0.25)	(1)		(1)
5 *	13103-028-070	PISTON (+0.50)	(1)		(1)
6 *	13104-028-070	PISTON (+0.75)	(1)		(1)
7 *	13105-028-070	PISTON (+1.00)	(1)		(1)
8 *	13111-028-000	PIN, piston	1		1
9 *	13115-200-050	CLIP, piston pin	2		2
6 *	13201-028-000	ROD, connecting	1		1
7 *	13211-235-000	RETAINER, roller	1		1
8 *	13310-028-070	CRANKSHAFT, right	1		1
9 *	13321-071-000	CRANKSHAFT, left	1		1
10 *	13381-028-000	PIN, crank	1		1
11 *	14311-071-000	SPROCKET, timing (1ET)	1		1
12 *	90741-035-000	KEY, woodruff	1		1
13 *	91001-071-000	BEARING, ball, N 4-6305	2		2
14 *	91101-001-030	ROLLER, 2.5x10	26		26



I.A.