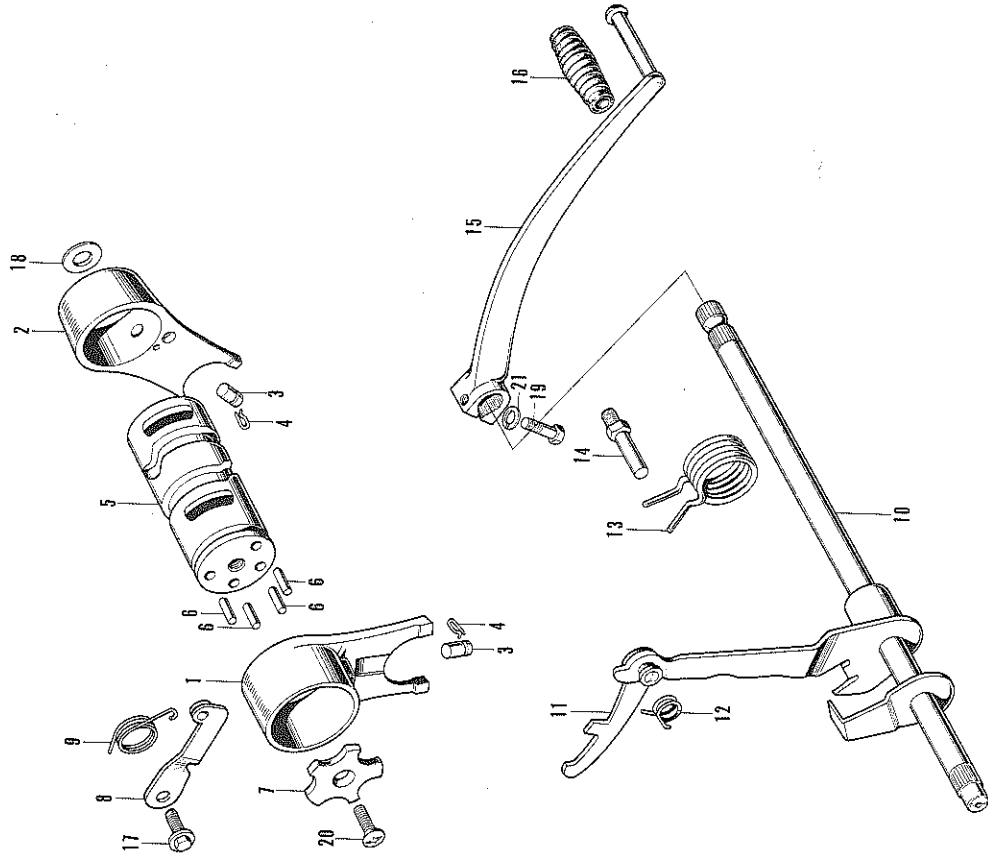


E-10 GEAR SHIFT

E-10 GEAR SHIFT

Ref. No.	Part No.	Description	Reqd. No.		No. Used on
			ATC	From	
1	24211-028-345	FORK, right gear shift	1		1
2	24221-028-335	FORK, left gear shift	1		1
3	24261-028-010	PIN, gear shift fork guide	2		2
4	24263-028-000	CLIP, shift fork guide pin	2		2
5	24301-918-000	DRUM, gear shift	1		1
6	24421-209-000	PIN, gear shift drum	4		4
7	24425-053-010	PLATE, shift drum stopper	1		1
8	24430-028-602	STOPPER, shift drum	1		1
9	24435-029-680	SPRING, shift drum stopper	1		1
10	24610-060-000	SPINDLE, gear shift	1		1
11	24630-046-010	ARM, gear shift	1		1
12	24641-046-000	SPRING, gear shift arm	1		1
13	24651-033-010	SPRING, gear shift return	1		1
14	24652-035-000	PIN, shift return spring	1		1
15	24700-918-010XW	PEDAL, gear change ( Chrome )	1		1
16	24781-205-000	RUBBER, gear change pedal	1		1
17	90423-041-000	BOLT, shift drum stopper arm pivot	1		1
18	90417-918-000	WASHER, shift drum side	1		1
19	92000-06022	BOLT, hex., 6x22	1		1
20	93700-06012	SCREW, oval, 6x12	1		1
21	94111-06000	WASHER, spring, 6 mm	1		1



I.A.