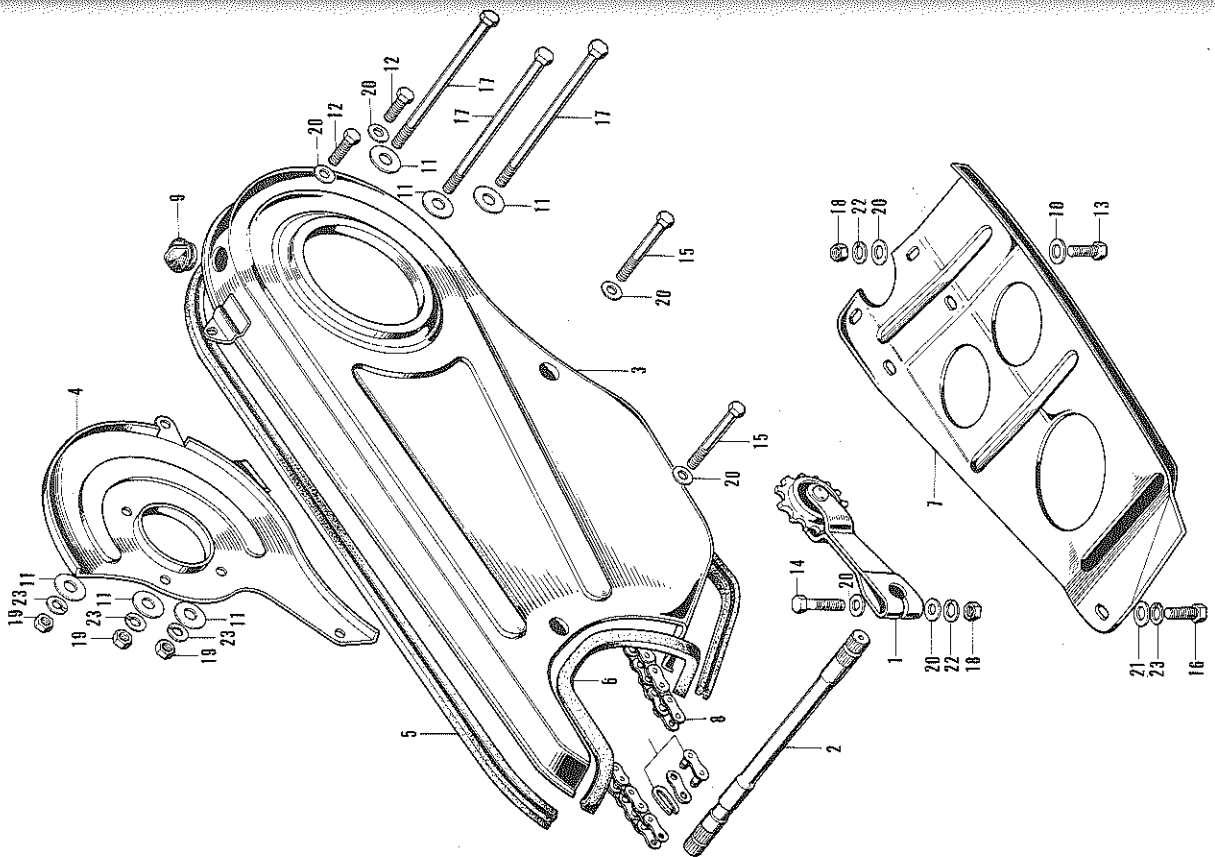


F-9 CHAIN-CHAIN CASE-CHAIN TENSIONER

F-9 CHAIN-CHAIN CASE-CHAIN TENSIONER

Ref. No.	Part No.	Description	Reqd. No.		No. Used on	
			ATC 90	90	From	To
1	4600-918-000	TENSIONER, chain	1			
2	40511-918-040	SHAFT, tensioner	1			
3	40521-918-310 B	CASE, drive chain (Black)	1			100621
4	40521-918-320 B	CASE, drive chain (Black)	1		100622	
5	40523-918-030 B	COVER, sub chain (Black)	1			100621
6	40523-918-040 B	COVER, sub chain (Black)	1			100622
7	40524-918-300	SEAL A, chain case	1			
8	40525-918-300	SEAL B, chain case	1			
9	40528-918-000 B	PLATE, protector (Black)	1			
10	40530-918-006	CHAIN, drive (RK 428B)	1			TRANSMISSION
11	40545-918-000	CAP, chain peep hole	1			
12	71979-538-940	WASHER, sun roof	1			
13	96521-250-000	WASHER, 8.5 mm	6			
14	92000-06012	BOLT, hex., 6X12	2			
15	92000-06016	BOLT, hex., 6X16	4			
16	92000-08036	BOLT, hex., 6X36	1			
17	92000-06050	BOLT, hex., 6X50	2			
18	92000-08016-0 A	BOLT, hex., 8X16	1			
19	92000-08120-0 A	BOLT, hex., 8X120	3			
20	94001-06000	NUT, hex., 6 mm	3			
21	94001-08000-0 S	NUT, hex., 8 mm	3			
22	94101-06000	WASHER, plain, 6 mm	8			
23	94101-08000	WASHER, plain, 8 mm	1			
24	94111-06000	WASHER, spring, 6 mm	5			
25	94111-08000	WASHER, spring, 8 mm	4			



I.A.