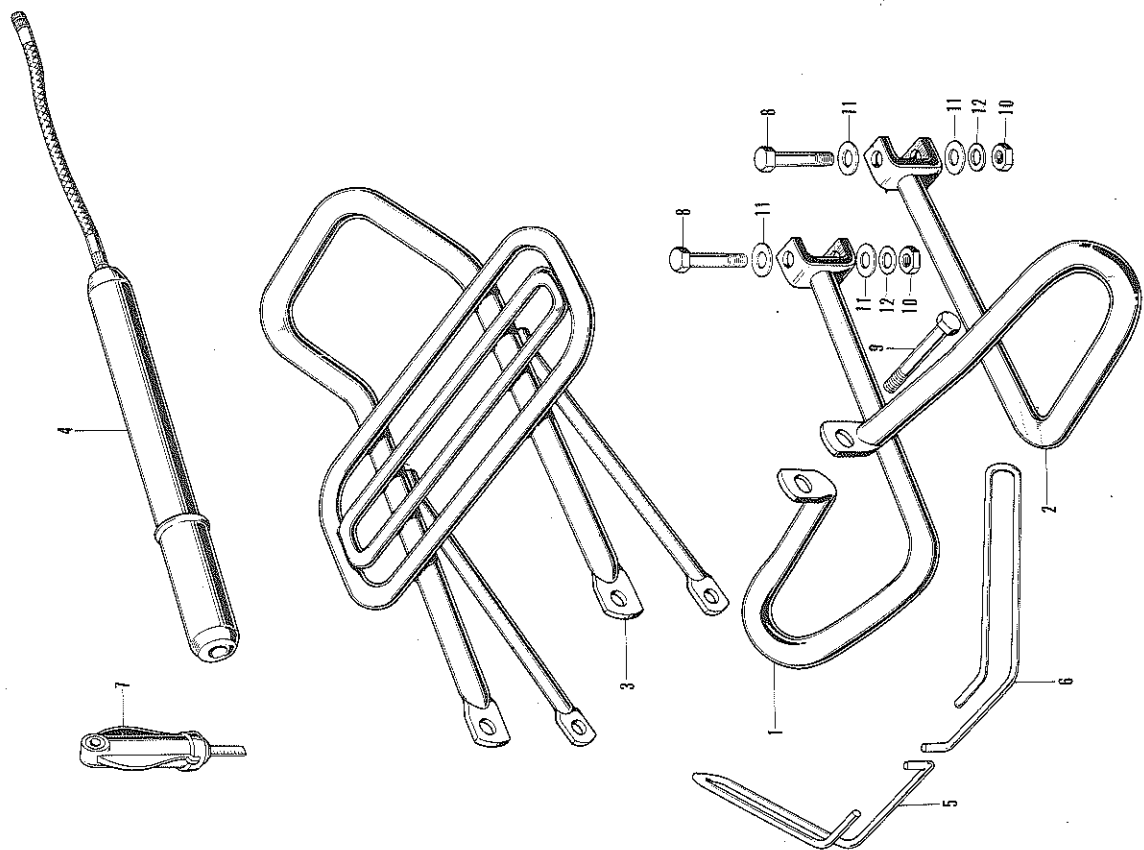


O-2 STEP GUARD-CARRIER-AIR PUMP



O-2 STEP GUARD-CARRIER-AIR PUMP

| Ref. No. | Part No. | Description | Repl. No. ATC | No. Used on | |
|----------|------------------|----------------------------------|---------------|-------------|----|
| | | | | From | To |
| 1 | 04501-918-000 B | (Superseded by 04501-918-000 XW) | 90 | | |
| 0 | 04501-918-000 XW | GUARD, R. step (Chrome) | | 1 | |
| 2 | 04502-918-000 B | (Superseded by 04502-918-000 XW) | | | |
| 0 | 04502-918-000 XW | GUARD, L. step (Chrome) | | 1 | |
| 3 | 04503-918-000 XW | CARRIER (Chrome) | | 1 | |
| 4 | 04601-918-000 | (Superseded by 08105-25900) | | | |
| 0 | 08105-25900 | PUMP ASSY., air | | 1 | |
| 5 | 50650-918-000 XW | BAR, R. guard | | 1 | |
| 6 | 50660-918-000 XW | BAR, L. guard | | 1 | |
| 7 | 88301-918-000 | (Superseded by 88301-918-003) | | | |
| 0 | 88301-918-003 | GAUGE, tire | | 1 | |
| 8 | 92000-08055-0-A | BOLT, hex, 8x56 | | 2 | |
| 9 | 92000-08065-0-A | BOLT, hex, 8x65 | | 1 | |
| 10 | 94001-08009-0-S | NUT, hex, 8 mm | | 2 | |
| 11 | 94101-08000 | WASHER, plain, 8 mm | | 4 | |
| 12 | 94111-08000 | WASHER, spring, 8 mm | | 2 | |