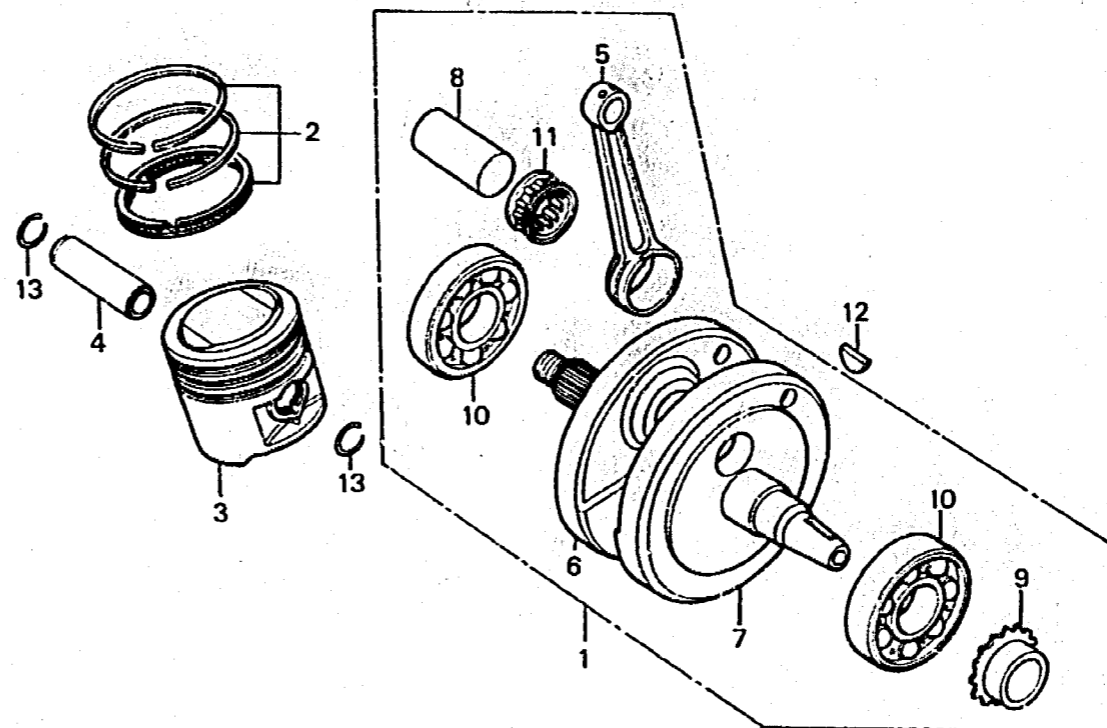


**G 4**

**E-10**

**Crankshaft · Piston**



B383-10

Service item	F.R.T.	Ref. No.	Part No.	Description	Reqd. No. XL125 K2 K3 K4	Serial No.	Area code
			91001-382-004	BEARING, RADIAL BALL, 6328HS (KOYO)	2 2 2		
			91001-383-008	BEARING, RADIAL BALL, 6328HS (TOYO)	2 2 2		
		11	91002-383-003	BEARING, CONNECTING ROD LARGE END (RED) (TOYO)	1 1 1		
			91002-383-004	BEARING, CONNECTING ROD LARGE END (RED) (KOYO)	1 1 1		
			91003-383-003	BEARING, CONNECTING ROD LARGE END (BLUE) (TOYO)	1 1 1		
			91003-383-004	BEARING, CONNECTING ROD LARGE END (BLUE) (KOYO)	1 1 1		
			91004-383-003	BEARING, CONNECTING ROD LARGE END (WHITE) (TOYO)	1 1 1		
			91004-383-004	BEARING, CONNECTING ROD LARGE END (WHITE) (KOYO)	1 1 1		
		12	94401-25180	KEY, WOODRUFF, 25X18	1 1 1		
		13	94601-15000	CLIP, PISTON PIN, 15MM	2 2 2		

Selection table of connecting rod large end bearing (Radial clearance 0~8 μm)

Connecting rod allowance 37 φ	A	B	C	D	E
Crank pin allowance 33 φ	+0.001 -0.001	+0.003 +0.001	+0.006 +0.003	+0.007 +0.006	+0.008 +0.007
1 or GREEN	-0.001 +0.001	(RED) 91002-383-003 91002-383-004			
2 or YELLOW	+0.001 +0.003	(BLUE) 91003-383-003 91003-383-004	(RED) 91002-383-003 91002-383-004		
3 or WHITE	+0.003 +0.006	(BLUE) 91003-383-003 91003-383-004		(RED) 91002-383-003 91002-383-004	
4 or BLUE	+0.006 +0.007	(WHITE) 91004-383-003 91004-383-004	(BLUE) 91003-383-003 91003-383-004		(RED) 91002-383-003 91002-383-004

1978.10.10