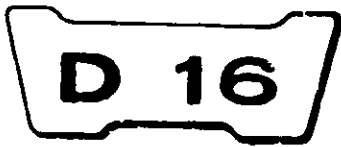
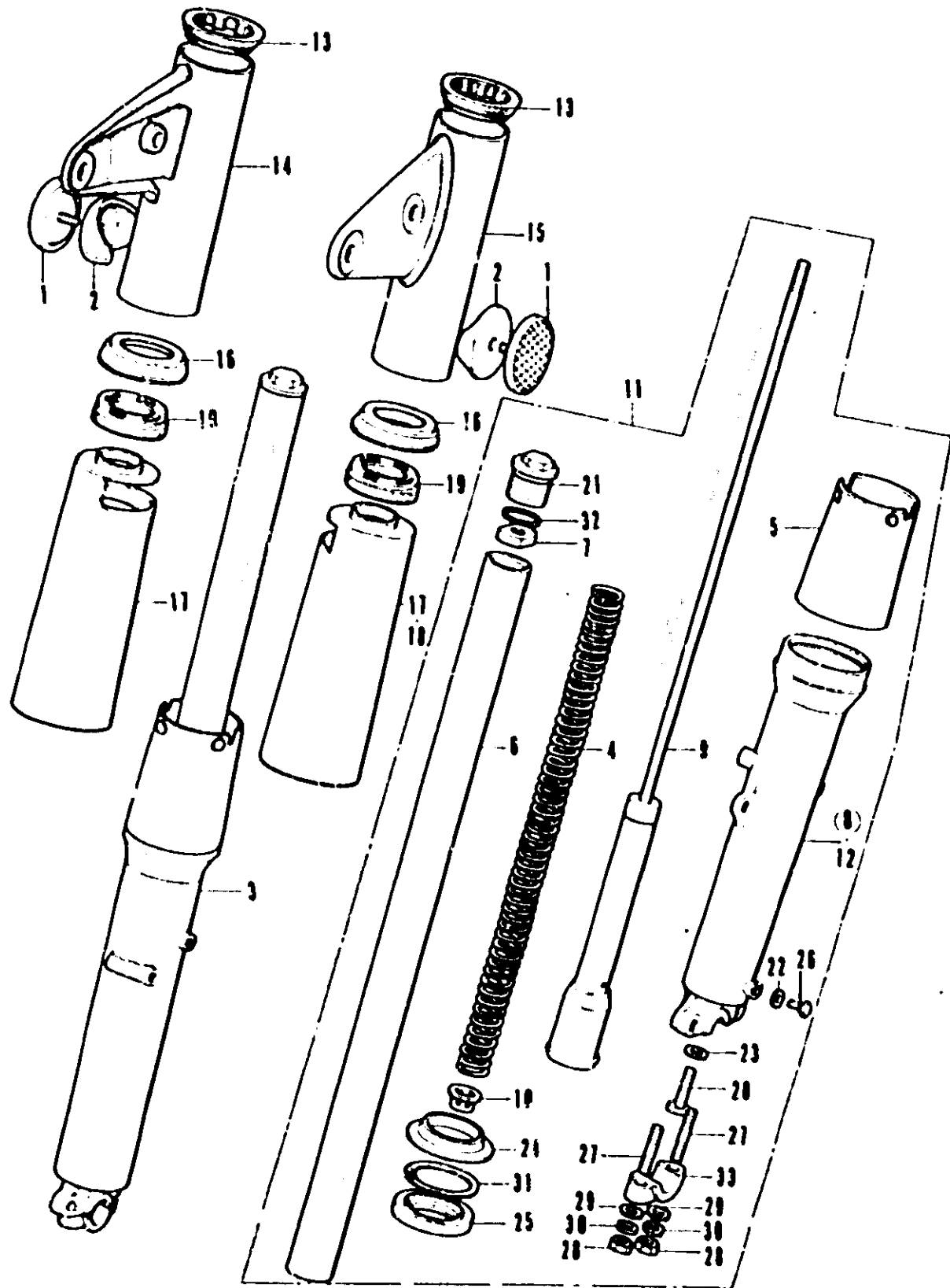


F-6 Front Fork



F-6 Front Fork



Ref. No.	Part. No.	Description	Reqd. No.			Serial No.	Area code
			CB29 P4 K4	CB30 B4 K4	CB30 P4 K4		
1	33741-340-670	REFLECTOR FRONT WHEEL	2	2	2	5027605 4114544	F F
2	33743-341-670	BASE FRONT WHEEL REFLECTOR	2	2	2	5027605 4114544	F F
3	51400-332-000	FORK ASSY. RIGHT FRONT	1	1	1		F
	51400-344-670	FORK ASSY. RIGHT FRONT	1	1	1		F
4	51401-317-701	SPRING FRONT SHOCK ABSORBER	2	2	2		F
	51401-333-000	SPRING FRONT SHOCK ABSORBER	2	2			F
5	51402-344-670	COVER FRONT CASE 51402-333-000	2	2	2	5016830 4102944	F F
	51402-333-000	COVER FRONT CASE	2	2	2	5016831 4102945	F F
6	51410-317-700	PIPE FRONT FORK	2	2	2		F
7	51413-317-700	NUT LOCK	2	2	2		F
8	51421-344-670	CASE RIGHT FRONT FORK BOTTOM 51421-333-000	1	1	1	5016830 4102944	F F
	51421-333-000	CASE RIGHT FRONT FORK BOTTOM	1	1	1	5016831 4102945	F F
9	51430-317-701	DAMPER COMP. 51430-344-000	2	2	2	5016830 4102944	F F
	51430-333-000	DAMPER COMP.	2	2			F
	51430-344-000	DAMPER COMP.	2	2	2	5016831 4102945	F F
10	51461-317-701	SEAL SHOCK ABSORBER SPRING	2	2	2		F
11	51500-333-000	FORK ASSY. LEFT FRONT	1	1	1		F
	51500-344-670	FORK ASSY. LEFT FRONT	1	1	1		F
12	51521-344-670	CASE LEFT FRONT FORK TOP IN 51521-333-000	1	1	1	5016830 4102944	F F
13	51601-317-700	CUSHION A. FORK COVER	2	2	2		F
14	51602-344-670MK	COVER RIGHT FRONT FORK UPPER	1	1	1		F
	51602-344-670LK	COVER RIGHT FRONT FORK UPPER	1	1	1	5027605 4114544	F F
	51602-344-670LY	COVER RIGHT FRONT FORK UPPER	1	1	1	5027605 4114544	F F
	51602-344-670PI	COVER RIGHT FRONT FORK UPPER	1	1	1	5027605 4114544	F F
	51602-344-670Z	COVER RIGHT FRONT FORK UPPER	1	1	1	5027605 4114544	F F
	51602-344-750A	COVER RIGHT FRONT FORK UPPER	1	1	1	5027606 4114544	F F
	51602-344-620LK	COVER RIGHT FRONT FORK UPPER	1	1	1	5027606 4114544	F F
	51602-344-620LY	COVER RIGHT FRONT FORK UPPER	1	1	1	5027606 4114544	F F
	51602-344-620PI	COVER RIGHT FRONT FORK UPPER	1	1	1	5027606 4114544	F F
	51602-344-670MK	COVER RIGHT FRONT FORK UPPER	1	1	1		F