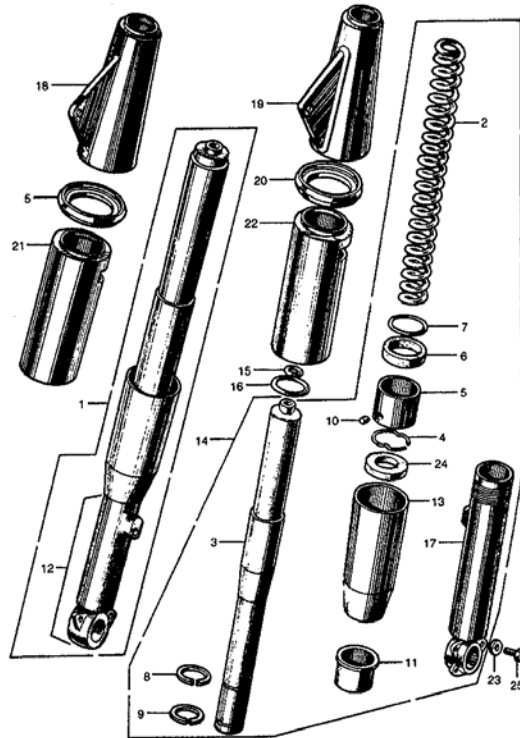


American Honda Motor Co., Inc.

Illustration: FRONT FORK I (F 02)
MOTORCYCLE, SUPER HAWK 305, CB77, 1961



PROGRAMS AND DATA ARE THE PROPERTY OF AMERICAN HONDA MOTOR CO., INC.

Parts List

Ref.	Part Description	M...	Qty.	Part Number	Honda Code	Area	Origin	Label
001	FORK ASSY., R. FR.		001	51400-268-000Z	0046474	A	JPN	
				0010001-0029791				
001	FORK ASSY., R. FR.		001	51400-268-000Z	0046474	A	JPN	
				0310001-0311502				
001	FORK ASSY., R. FR.	X	001	51400-268-010Z	0046482	A	JPN	
				0010001-0109755				
001	FORK ASSY., R. FR.	X	001	51400-268-010Z	0046482	A	JPN	
				0311503-1030129				
002	SPRING, FR. FORK	X	002	51401-268-000	0046748	A	JPN	
				0010001-1030129				
003	PIPE, FR. FORK	X	002	51410-268-060	0046508	A	JPN	
				0010001-0029791				
003	PIPE, FR. FORK	X	002	51410-268-060	0046508	A	JPN	
				0310001-0311502				
003	PIPE, FR. FORK	X	002	51410-268-070	0046516	A	JPN	
				0010001-0109755				
003	PIPE, FR. FORK	X	002	51410-268-070	0046516	A	JPN	
				0311503-1030129				
004	RETAINER, FR. FORK OIL SEAL	X	002	51432-268-000	0046789	A	JPN	
				0010001-1030129				
005	PISTON, FR. FORK	X	002	51442-268-040	0046540	A	JPN	
				0010001-1030129				
006	VALVE, FR. DAMPER	X	002	51443-268-020	0046581	A	JPN	