

**C 6**

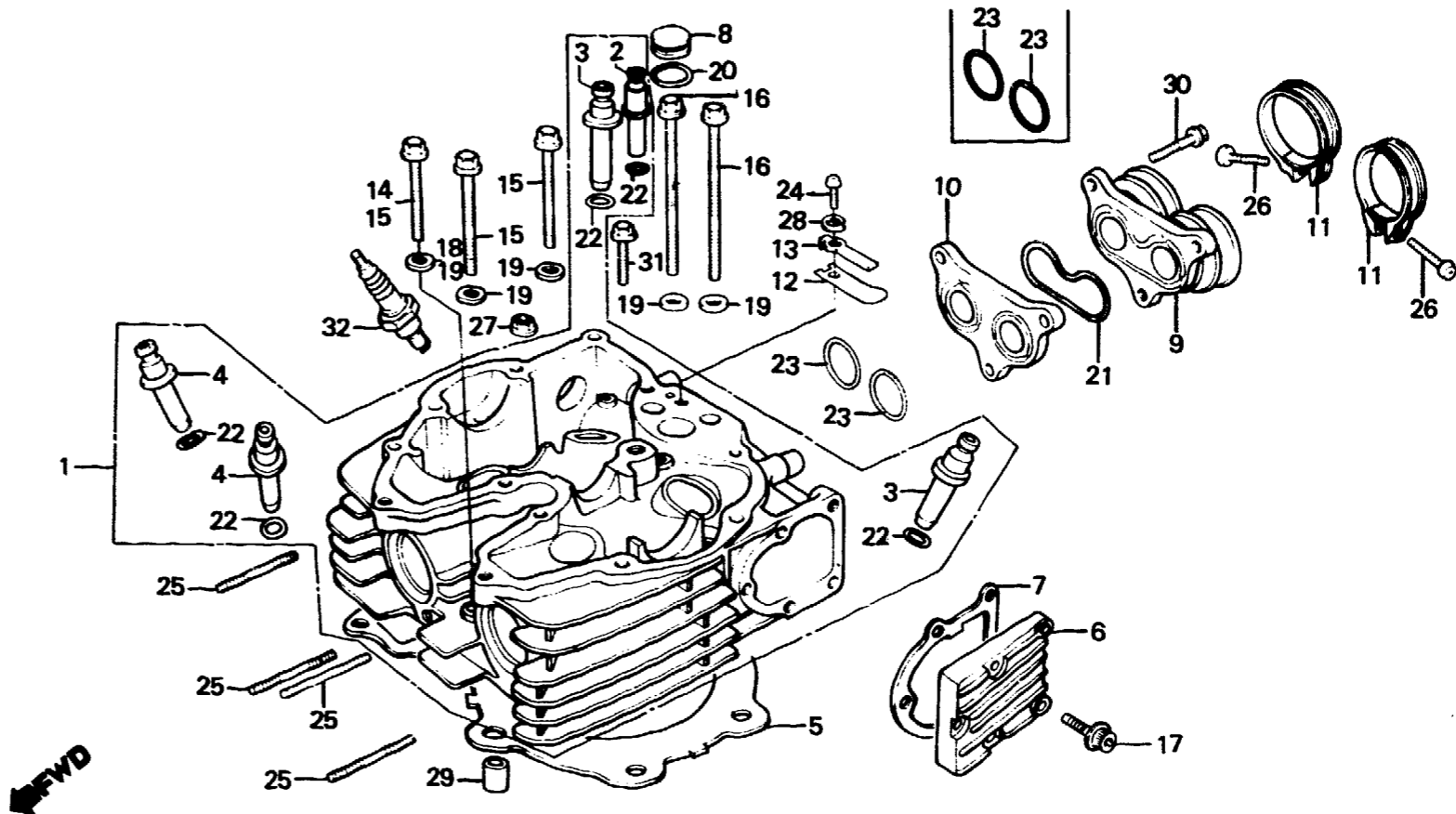
**E-2**

**Cylinder head**

**Culasse**

**Zylinderkopf**

**Culata**



BMG2-2A

Service item	F.R.T.	Ref. No.	Part No.	Description	Reqd. No. XL600						Serial No.	Area code
					Rd	Ld	RE	LE	Rf	Lf		
HEAD, CYLINDER	*4.6	1	12200-MG2-000	HEAD, CYLINDER	1	1						B,CM,E,ED,F,G
GUIDE, VALVE (INC. REAMING) (ADD 0.2 FOR EACH.) (EXC. VALVE REFACING) (ADD MORE 0.2 IF PERFORMED)	*3.9		12200-MG2-020	HEAD, CYLINDER	1							IT,SA,SD,SW,U
GASKET, CYLINDER HEAD	*3.5	*	12200-MG2-790	HEAD, CYLINDER			1	1				AR
COVER, DECOMPRESSION	0.1	2	12208-MG2-300	GUIDE, DECOMPRESSION VALVE	1	1	1	1	1	1		
INSULATOR, CARBURETOR	0.4	3	12231-MG3-305	GUIDE, IN. VALVE	2	2	2	2				
INSULATOR, HEAT	0.3	*	12231-MG2-306	GUIDE, IN. VALVE					2	2		
BOLT, STUD, 8X40 (ADD 0.1 FOR EACH.)	*2.9	4	12241-MG3-315	GUIDE, EX. VALVE	2	2	2	2				
VALVE COMP., REED		*	12241-MG2-306	GUIDE, EX. VALVE					2	2		
		5	12251-MG2-004	GASKET, CYLINDER HEAD	1	1	1	1				
		*	12251-MG2-791	GASKET, CYLINDER HEAD					1	1		
		6	12330-MG2-000	COVER, DECOMPRESSION	1	1	1	1	1	1		
		7	12332-MG3-004	GASKET, DECOMPRESSION COVER	1	1						B,CM,E,ED,F,G
			12332-MG2-000	GASKET, DECOMPRESSION COVER	1			1				IT,SA,SD,U
									1			SW
										1		AR,1G,2G
										1	1	B,CM,E,ED,F,IT
												SA,SD,SW,U