

D 10

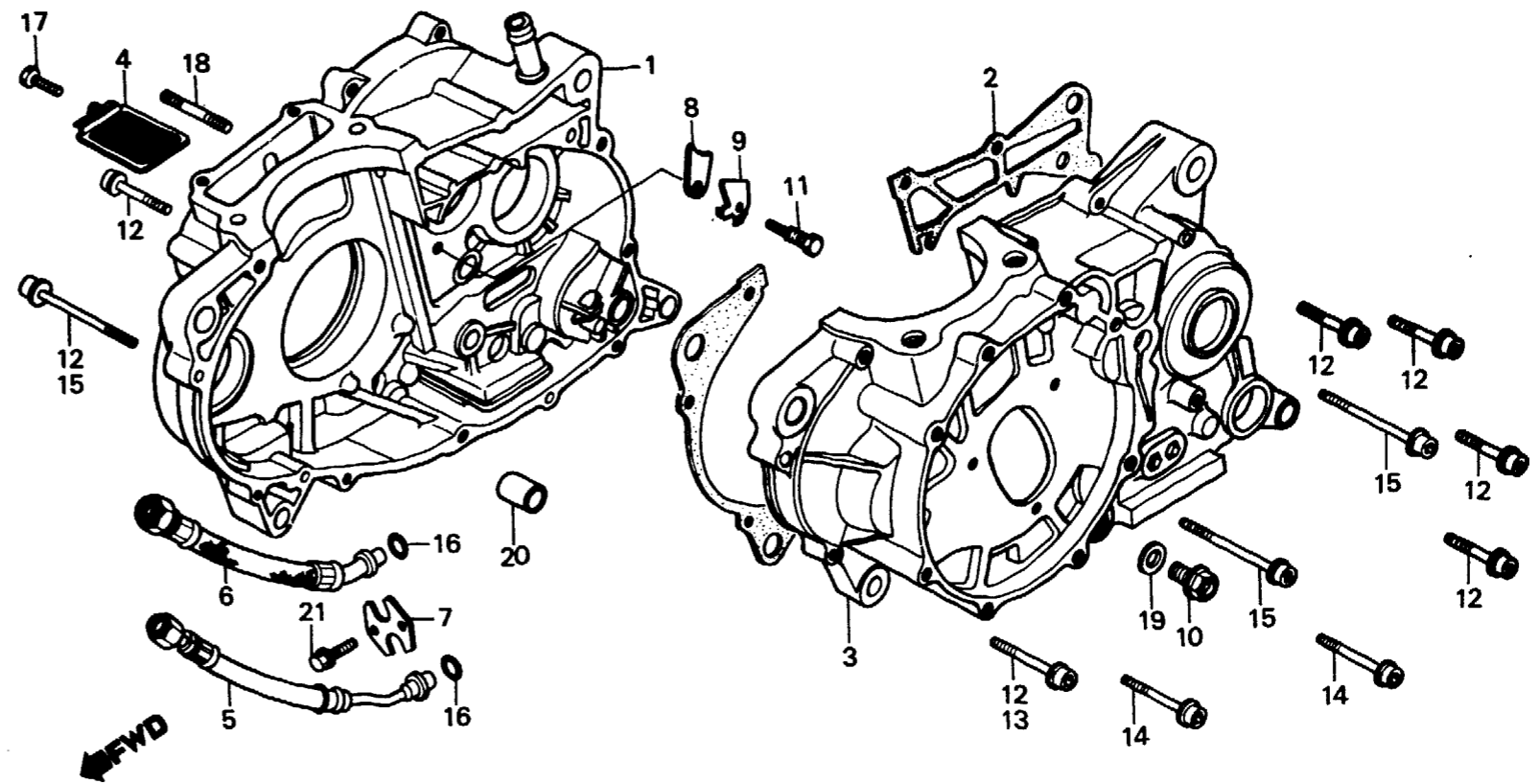
E-10

Crankcase

Carter moteur

Kurbelgehäuse

Cárter de motor



BMG2-6A

Service item	F.R.T.	Ref. No.	Part No.	Description	Reqd. No. XL600						Serial No.	Area code
					Rd	Ld	RE	LE	Rf	Lf		
CRANKCASE COMP., R.	*5.6	1	11100-MG3-000	CRANKCASE COMP., R.	1	1	1	1				
GASKET, CRANKCASE	*5.1	*	11100-MG3-010	CRANKCASE COMP., R.					1	1		
CRANKCASE COMP., L.	*6.2	2	11191-MG3-000	GASKET, CRANKCASE	1	1	1	1				
SCREEN, OIL FILTER	0.6	*	11191-MG2-790	GASKET, CRANKCASE					1	1		
HOSE, OIL	0.4	3	11200-MG2-000	CRANKCASE COMP., L.	1	1	1	1				
(ADD 0.1 FOR EACH.)		*	11200-MG2-790	CRANKCASE COMP., L.					1	1		
		4	15421-MG3-000	SCREEN, OIL FILTER	1	1	1	1	1	1		
		5	15610-MG3-003	HOSE, OIL (A)	1	1	1	1	1	1		
		6	15620-MG3-003	HOSE B	1	1	1	1	1	1		
		7	15630-MG3-000	PLATE	1	1	1	1	1	1		
		8	23521-MG3-000	PLATE	1	1	1	1	1	1		
		9	23523-MG3-000	WASHER, LOCK, 8MM	1	1	1	1				
		*	23523-MG2-790	WASHER, LOCK, 8MM					1	1		
		10	90015-KA3-710	BOLT, SPECIAL, 12MM	1	1						

B,CM,E,ED,F,G
IT,SA,SD,SW,U