

G 6

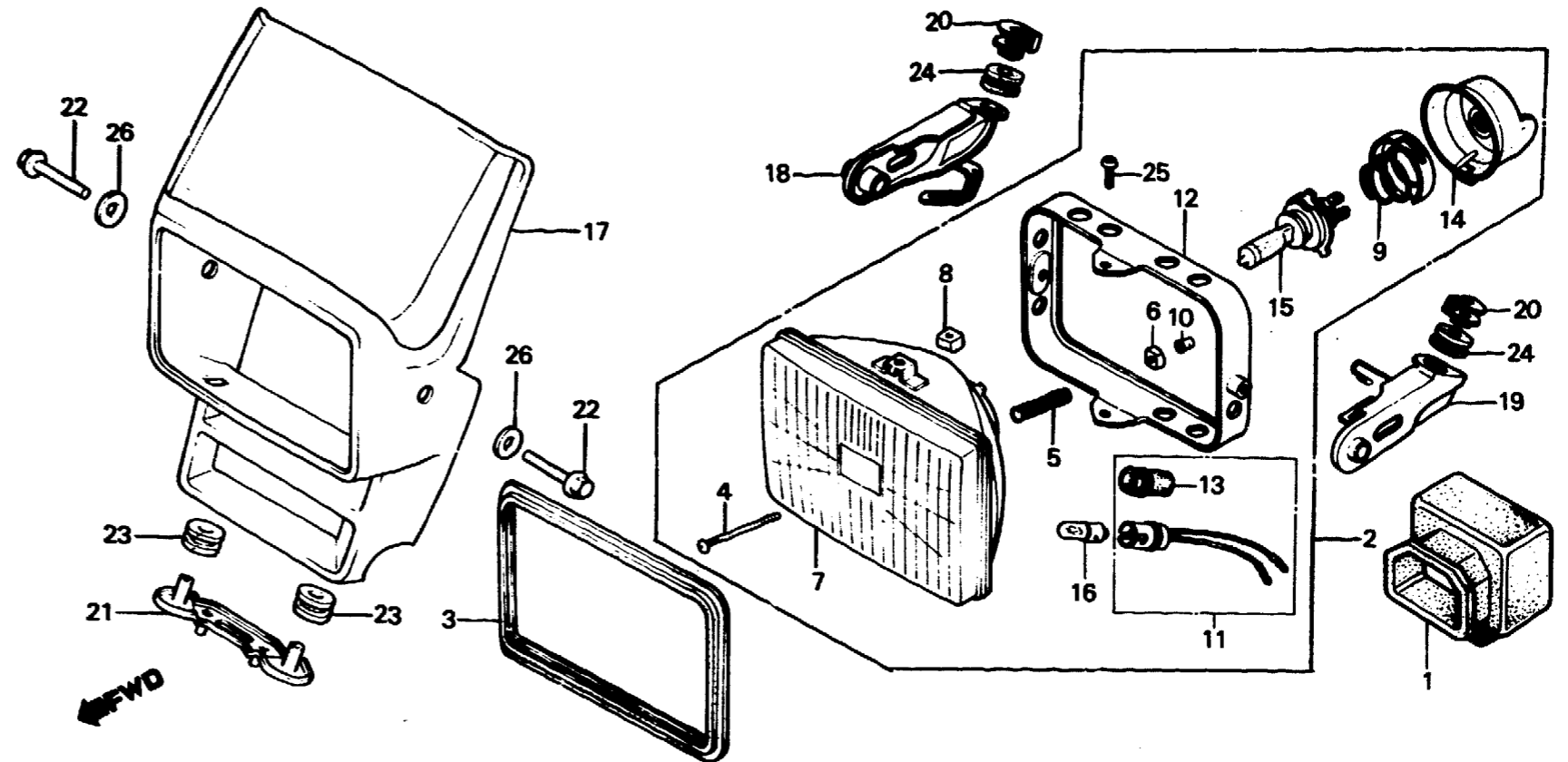
F-1-1

Headlight
(AR,B,E,ED,F,G,IT,SA,SD,SW,U,2G)

Phare
(AR,B,E,ED,F,G,IT,SA,SD,SW,U,2G)

Scheinwerfer
(AR,B,E,ED,F,G,IT,SA,SD,SW,U,2G)

Faro delantero
(AR,B,E,ED,F,G,IT,SA,SD,SW,U,2G)



BMG2-33

Service item	F.R.T.	Ref. No.	Part No.	Description	Reqd. No. XL600						Serial No.	Area code
					Rd	Ld	RE	LE	Rf	Lf		
			33150-MG2-003	SOCKET ASSY., POSITION LIGHT	1					1		AR,2G
					1	1					5009228	B,ED,G,IT,SD,SW
					1						5009653	E,SA,U
					1	1					5008501	F
		12	33153-MG2-671	RING COMP., MOUNTING				1	1	1		B,E,ED,F,G,IT
								1	1	1		SA,SD,SW,U
								1	1	1		AR,B,E,ED,F,G
								1	1	1		IT,SA,SD,SW,U
								1	1	1		2G
		13	33155-166-003	RUBBER, JOINT				1	1	1		AR,B,E,ED,F,G
								1	1	1		IT,SA,SD,SW,U
								1	1	1		2G
		14	33180-471-901	COVER, RUBBER				1	1	1		AR,B,E,ED,F,G
								1	1	1		IT,SA,SD,SW,U
								1	1	1		2G
		15	34901-MC7-601	BULB, HEADLIGHT				1	1	1		AR,B,E,ED,G,IT
				(H4 JA12V60/55W)				1	1	1		SA,SD,SW,U,2G
			34901-371-621	H4 BULB(12342/99) MFD. BY PHILIPS (LOCAL PROCUREMENT PART)				1	1	1		F