

J 13

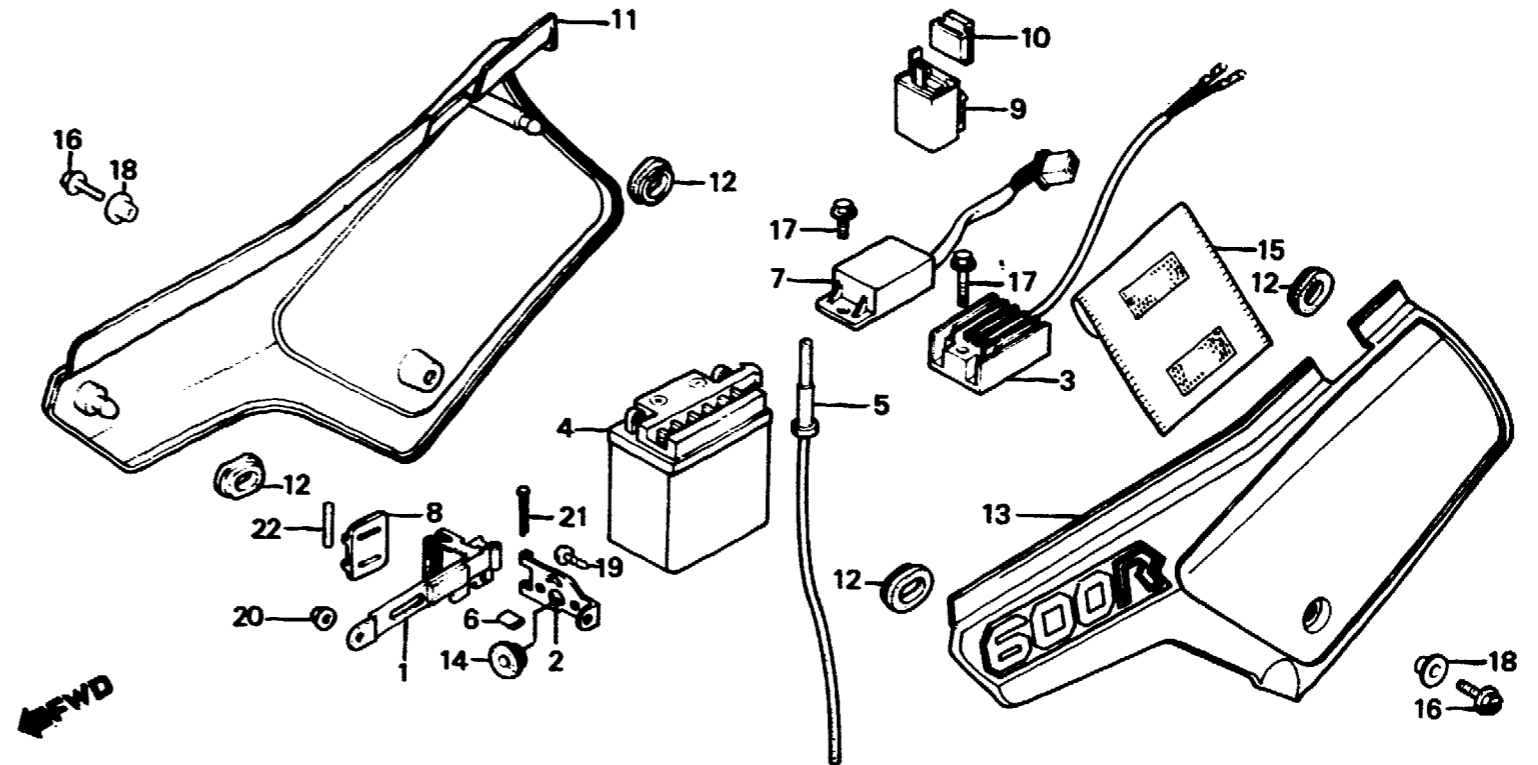
F-15

Side cover • Battery

Couvercle latéral • Batterie

Seitendeckel • Batterie

Cubierta lateral • Bateria



BMG2-50

Service item	F.R.T.	Ref. No.	Part No.	Description	Reqd. No.						Serial No.	Area code
					Rd	Ld	RE	LE	Rf	Lf		
		*	83500-MG2-000ZC	COVER, R. SIDE *NH-138*							1	AR,B,E,ED,F,G IT,SA,SD,SW,U 2G
		*	83500-MG2-000ZD	COVER, R. SIDE *NH-1*							1	AR,B,E,ED,F,G IT,SA,SD,SW,U 2G
		12	83551-300-000	GROMMET, AIR CLEANER CASE	4	4	4	4	4	4		
		13	836A0-MG2-000ZA	COVER SET, L. SIDE *R-110*	1	1						
			836A0-MG2-000ZB	COVER SET, L. SIDE *NH-111*	1							AR,B,E,ED,F,G IT,SA,SD,SW,U
			836A0-MG2-000ZC	COVER SET, L. SIDE *NH-1*	1							AR,B,E,ED,F,G IT,SA,SD,SW,U
			836A0-MG2-830ZA	COVER SET, L. SIDE *R-119*				1				
			836A0-MG2-870ZA	COVER COMP., L. SIDE *R-110*			1					
		*	83600-MG2-000ZA	COVER, L. SIDE *R-119*					1		1	CM