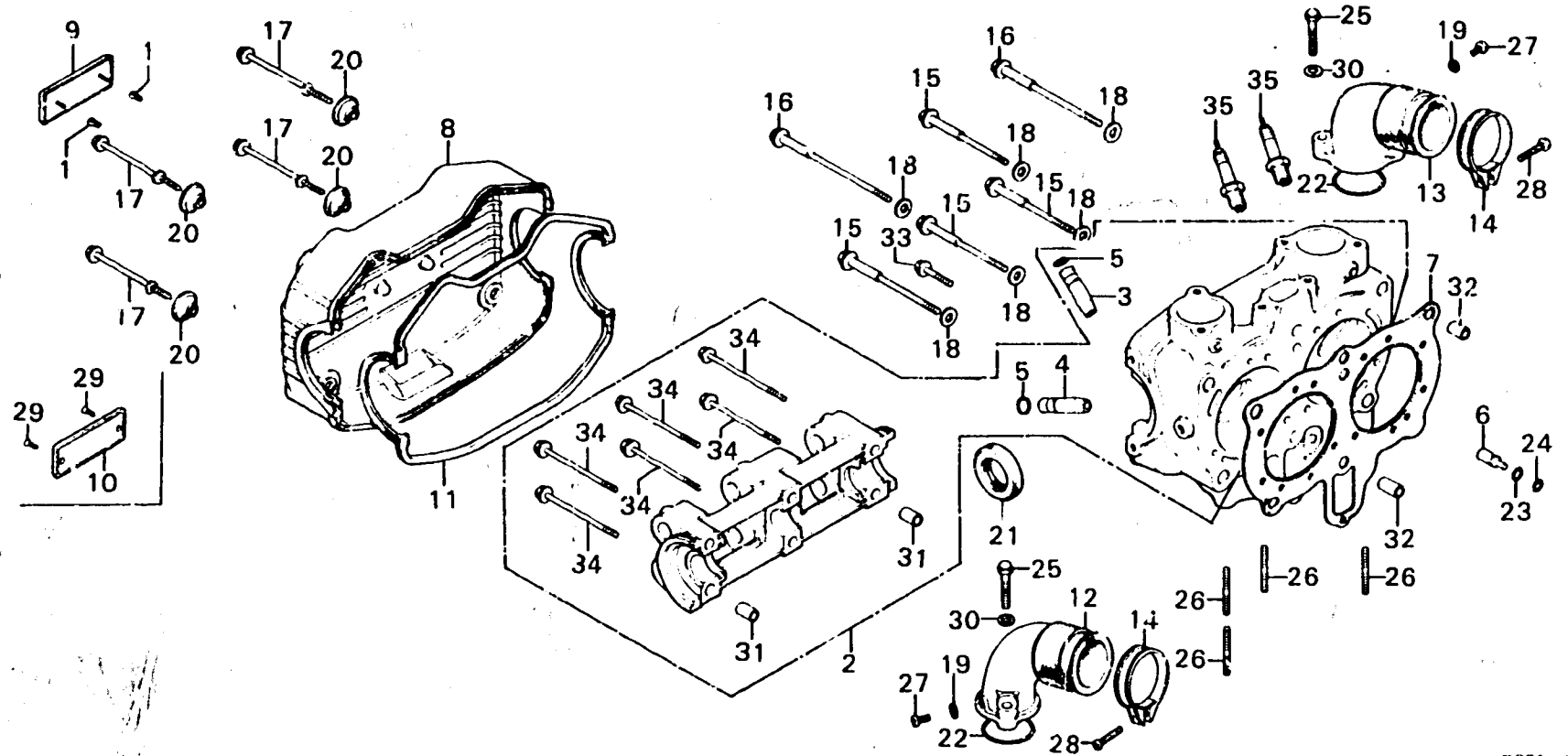




E-2

Right cylinder head



B371-2

Service item	F.R.T.	Ref. No.	Part No.	Description	GL1000	Reqd. No.				Serial No.	Area code
						GL1000	GL1000	LTD K1	K2		
CYLINDER HEAD ASSY. *Valve rapping included	2.3	1	11633-323-000	PUSH ON FIX, J TYPE	2	2					
VALVE GUIDE *Reaming included add 0.2 *Valve seat refacing excluded. If it refaced add 0.2	1.6	2	12200-371-000 12200-371-010	HEAD ASSY., CYLINDER HEAD ASSY., CYLINDER	1		2			2038639 1004135	
CYLINDER HEAD GASKET	1.1	3	12204-371-305	GUIDE, IN, VALVE	2	2	2	2			
27 X 43 X 9 OIL SEAL	0.9	4	12205-371-305	GUIDE, EX, VALVE	2	2	2	2			
8 X 40 STUD BOLT *Add 0.1	0.4	5	12211-250-310	CLIP, VALVE GUIDE	4	4	4	4		1004136	
INLET MANIFOLD *Add 0.2	0.2	6	12238-371-000	ORIFICE, OIL CONTROL	1	1	1	1			
CYLINDER HEAD COVER/EMBLEM	0.1	7	12251-371-003	GASKET, CYLINDER HEAD	1	1	1	1			
SPARK PLUG *One or both	0.1	8	12311-371-000 12311-371-010 12311-371-980 12312-371-000 12312-371-610	COVER, CYLINDER HEAD COVER, CYLINDER HEAD COVER, CYLINDER HEAD EMBLEM, HEAD COVER EMBLEM, HEAD COVER	1		1		2100001	2038639	DK,DM,E,ED,F,G,U
		9	12312-371-611	EMBLEM, HEAD COVER	1		1		2100001	2038639	DK,DM,E,ED,F,G,U
		10	12328-371-000	GASKET, HEAD COVER	1	1	1	1			
		11	17110-371-000 17110-371-980	MANIFOLD A, IN. MANIFOLD A, IN.	1		1				
		12	17120-371-000 17120-371-980	MANIFOLD B, IN. MANIFOLD B, IN.	1		1	1			
		13	17255-371-000	BAND, IN, MANIFOLD	2		2	2			

1979.04.10

C5