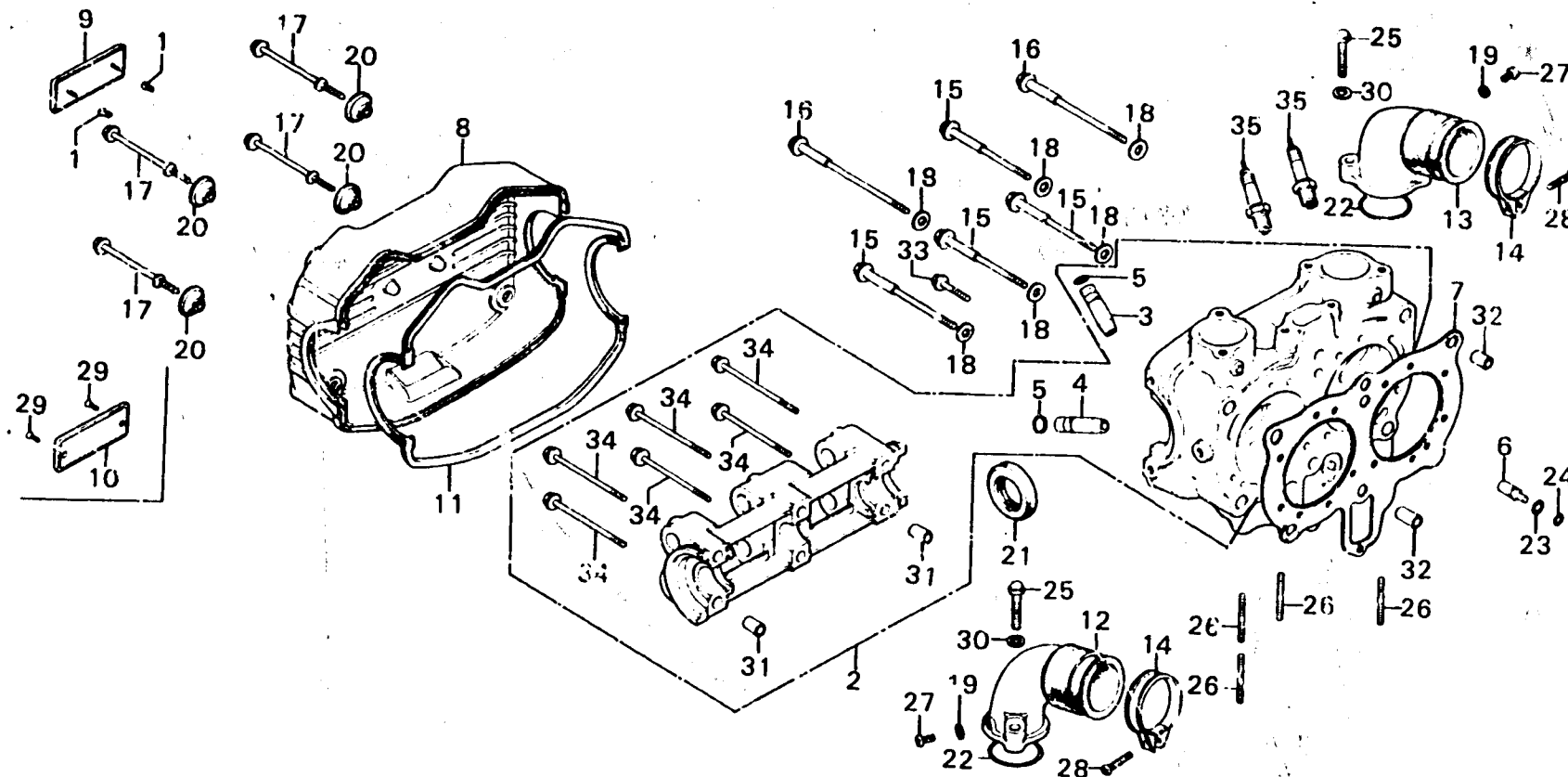


C 6

E-2

Right cylinder head



8371-2

Service item	F.R.T.	Ref. No.	Part No.	Description	Reqd. No.				Serial No.	Area code
					GL1000	GL1000	LTDK1	K2		
		15	17255-371-980 90001-371-003	BAND, IN, MANIFOLD BOLT, FLANGE, 10X90	4	2	4	4		
		16	90002-371-003	BOLT, FLANGE, 10X115	2	2	2	2		
		17	90018-371-000 90018-371-980	BOLT, SPECIAL, 6X63,2 BOLT, SPECIAL, 6X63,2	4	4	4	4		
		18	90438-634-000	WASHER, 21X11X2,3	6	6	6	6		
		19	90452-323-000	WASHER, THRUST, 5MM	2	2	2	2		
		20	90541-371-000 90541-371-980	RUBBER, MOUNT RUBBER, MOUNT	4	4	4	4		
		21	91209-371-003	OIL SEAL, 27X43X9	1	1	1	1		
		22	91301-371-003	O-RING, 40X2,6	2	2	2	2		
		23	91305-371-003	O-RING, 6,5X1,5	1	1	1	1		
		24	91308-371-003	O-RING, 4,1X1,5	1	1	1	1		
		25	92500-06032-0B 90044-371-980	BOLT, CAP, 6X32 BOLT, CAP, 6X32	4	4	4	4		
		26	92700-08040-0E 90035-371-000	BOLT, STUD, 3X40 BOLT, STUD, 8X43	4	4	4	4		
		27	93500-05008-0A 90050-371-980	SCREW, PAN, 5X8 SCREW, PAN, 5X8	2	2	2	2		
		28	93500-05020-0G	SCREW, PAN, 5X20	2	2	2	2		
		29	93700-03006-0G 93700-03006-1G	SCREW, OVAL, 3X6 SCREW, OVAL, 3X6			2	2	2100001	DK,DM,E,ED,F,G,J
		30	94101-06000 90081-371-980	WASHER, PLAIN, 6MM WASHER, PLAIN, 6MM	4	4	4	4		
		31	94301-10160	PIN A, DOWEL, 10X16	2	2	2	2		
		32	94301-12200	PIN A, DOWEL, 12X20	2	2	2	2		

1979.04.10

C6