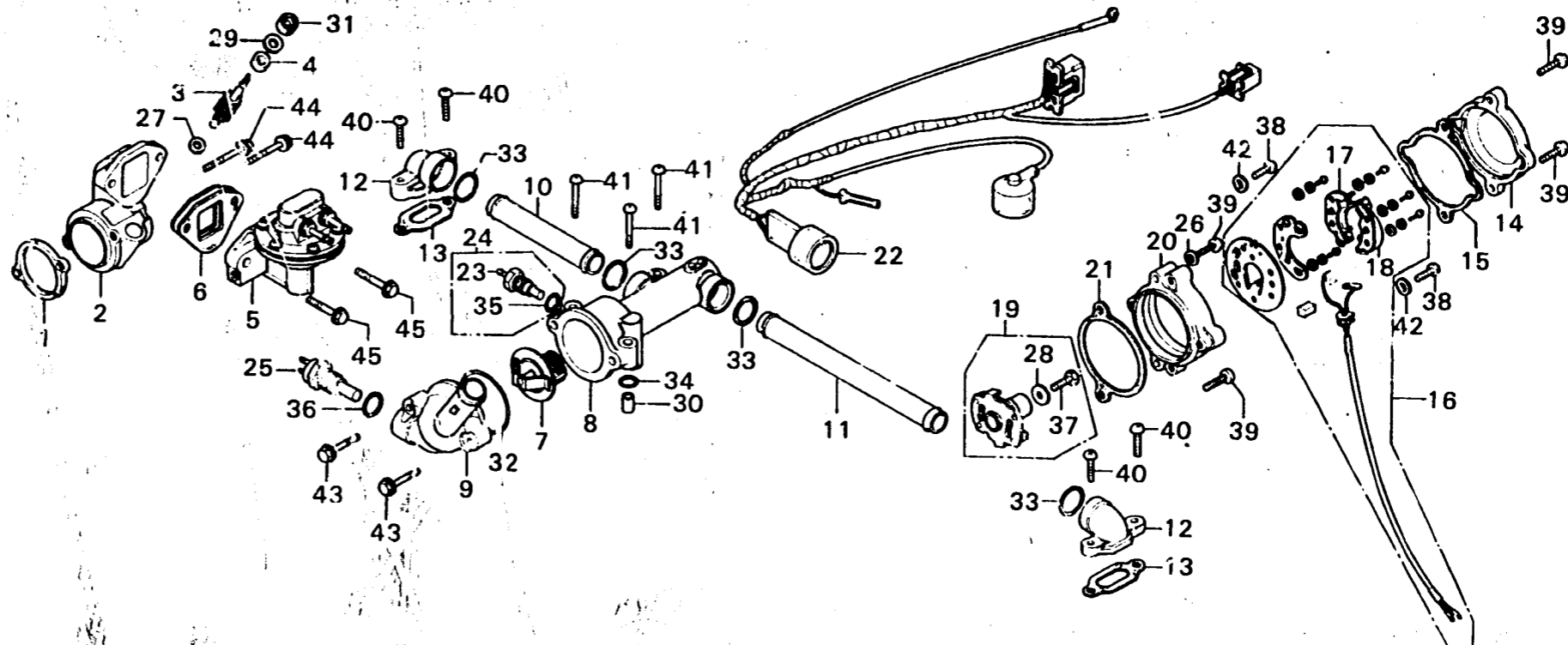


C 12

E-5

**Fuel pump • Thermostat •
Contact breaker**



B371-5

Service item	F.R.T.	Ref. No.	Part No.	Description	Reqd. No.		Serial No.	Area code
					GL1000	GL1000 LTD K1 K2		
ENGINE SUB WIRE HARNESS	3.0	1	12390-371-000	INSULATOR COMP., TACHOMETER COVER	1	1 1 1		
THERMOSTAT CASE/WATER TEMPERATURE SENDING UNIT	1.5	2	12411-371-000	COVER, FUEL PUMP	1	1 1		
THERMOSTAT COVER/UNIT	0.6	3	12431-371-000	GEAR, TACHOMETER	1	1 1 1		
•THERMO SWITCH		4	12435-246-000	COLLAR, TACHOMETER GEAR THRUST	1	1 1 1		
R. CONNECTING PIPE/WATER JOINT	0.4	5	16700-371-003	PUMP ASSY., FUEL (KISAN)	1	1 1		
•L. CONNECTING PIPE/WATER JOINT		6	16701-634-000	INSULATOR COMP., FUEL PUMP	1	1 1		
CONTACT BREAKER	0.4	7	16701-371-980	INSULATOR COMP., FUEL PUMP	1	1		
•Add 0.1		7	19300-657-000	THERMOSTAT UNIT	1	1		
CONTACT BREAKER ASSY./SPAKE ADVANCER/BRAKER CASE	0.3		19300-657-003	THERMOSTAT UNIT		1	2100001	2038639 DK,DM,E,ED,F,G,U
•FUEL PUMP COVER/TACHOMETER GEAR and those related parts		8	19311-371-000	CASE, THERMOSTAT	1	1 1		
TACHOMETER COVER INSULATOR	0.1	9	19315-371-000	COVER, THERMOSTAT	1	1 1		
•BREAKER COVER		10	19411-371-000	PIPE, R. CONNECTING	1	1 1		
•FUEL PUMP ASSY		10	19411-371-980	PIPE, R. CONNECTING	1	1		
		11	19412-371-000	PIPE, L. CONNECTING	1	1 1		
		11	19412-371-980	PIPE, L. CONNECTING	1	1		
		12	19421-371-000	JOINT, WATER	2	2 2		
		12	19421-371-980	JOINT, WATER	2	2 2		
		13	19429-371-000	PACKING, WATER JOINT	2	2 2		
		14	30070-371-000	COVER, BREAKER	1	1 1		
		14	30070-371-980	COVER, BREAKER	1	1 1		
		15	30079-371-000	GASKET, BREAKER	1	1 1 1		

1979.04.20

C12