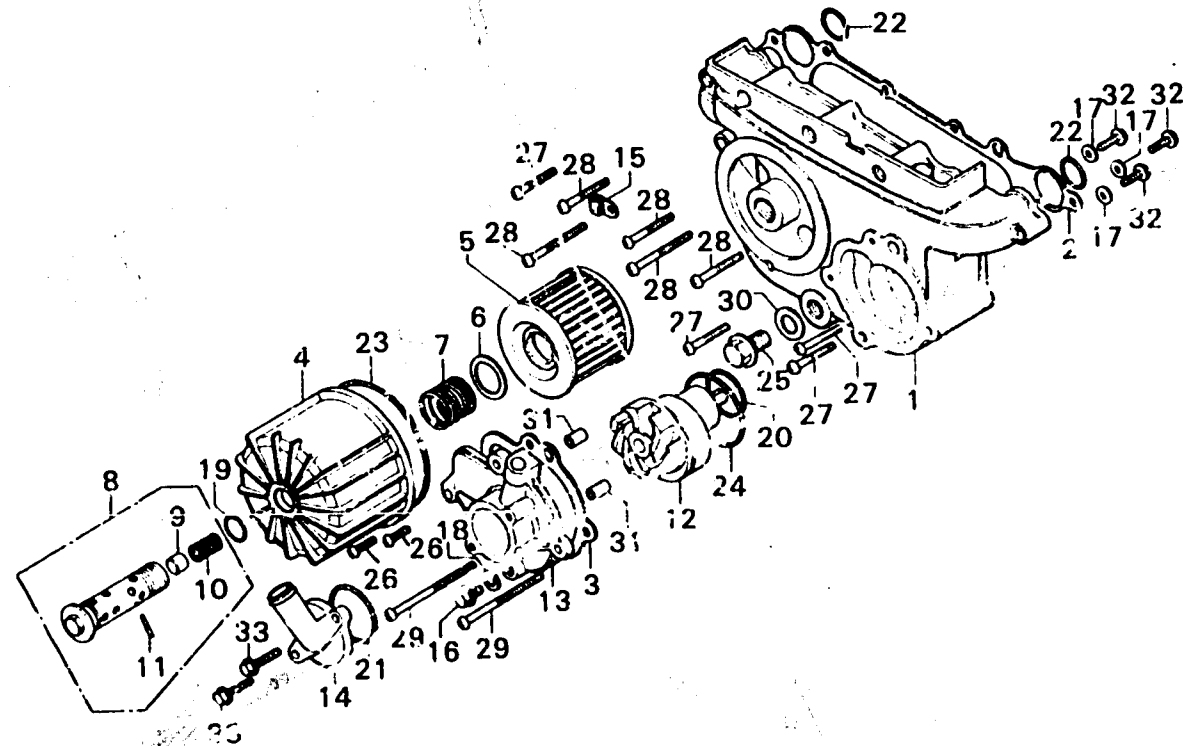


C 15

E-6

**Transmission cover •
Water pump • Oil filter**



B371-6

Service item	F.R.T.	Ref. No.	Part No.	Description	Reqd. No.			Serial No.	Area code
					GL1000	GL1000 LTD	K1 K2		
TRANSMISSION COVER COMP./WATER PUMP	0.3	1	11360-371-000	COVER COMP., TRANSMISSION	1	1	1		
TRANSMISSION COVER GASKET	0.2	2	11360-371-980	COVER COMP., TRANSMISSION		1			
WATER PUMP COVER COMP.	0.4	3	11391-371-000	GASKET, TRANSMISSION COVER	1	1	1	1	
WATER PUMP CAP	0.3	4	11396-371-000	GASKET, WATER PUMP	1	1	1	1	
OIL FILTER CASE and its related parts	0.2	4	15411-371-000	CASE, OIL FILTER	1		1	1	
		5	15411-371-980	CASE, OIL FILTER		1			
		5	15412-300-024	ELEMENT, OIL FILTER (TOKYO ROKI)	1	1	1	1	
		6	15414-300-000	SEAT, OIL FILTER SPRING	1	1	1	1	
		7	15415-300-000	SPRING, OIL FILTER ELEMENT SET	1	1	1	1	
		8	15420-300-020	BOLT, OIL FILTER CENTER	1		1	1	
		9	15420-371-980	BOLT COMP., OIL FILTER CENTER		1			
		9	15473-300-300	VALVE, CHECK	1	1	1	1	
		10	15474-300-310	SPRING, CHECK VALVE	1	1	1	1	
		11	15477-300-300	PIN, SPRING SET	1	1	1	1	
		12	19200-371-000	PUMP COMP., WATER	1	1	1	1	
		13	19221-371-000	COVER COMP., WATER PUMP	1		1	1	
			19221-371-980	COVER COMP., WATER PUMP		1			
		14	19225-371-000	CAP, WATER PUMP	1		1	1	
			19225-371-980	CAP, WATER PUMP		1			
		15	32111-323-000	CLAMPER, CORD	1	1	1	1	
		16	90007-371-004	BOLT, FLANGE, 10X12	1		1	1	
			90007-371-980	BOLT, FLANGE, 10X12		1			
		17	90441-028-010	WASHER, SEALING, 6MM	3	3	3	3	
		18	90481-001-020	WASHER, 10.2MM	1	1	1	1	
		19	91302-028-000	O-RING, 15X2.5	1	1	1	1	
		20	91303-283-000	O-RING, 37.2X2.3	1	1	1	1	

1979.04.10

C15