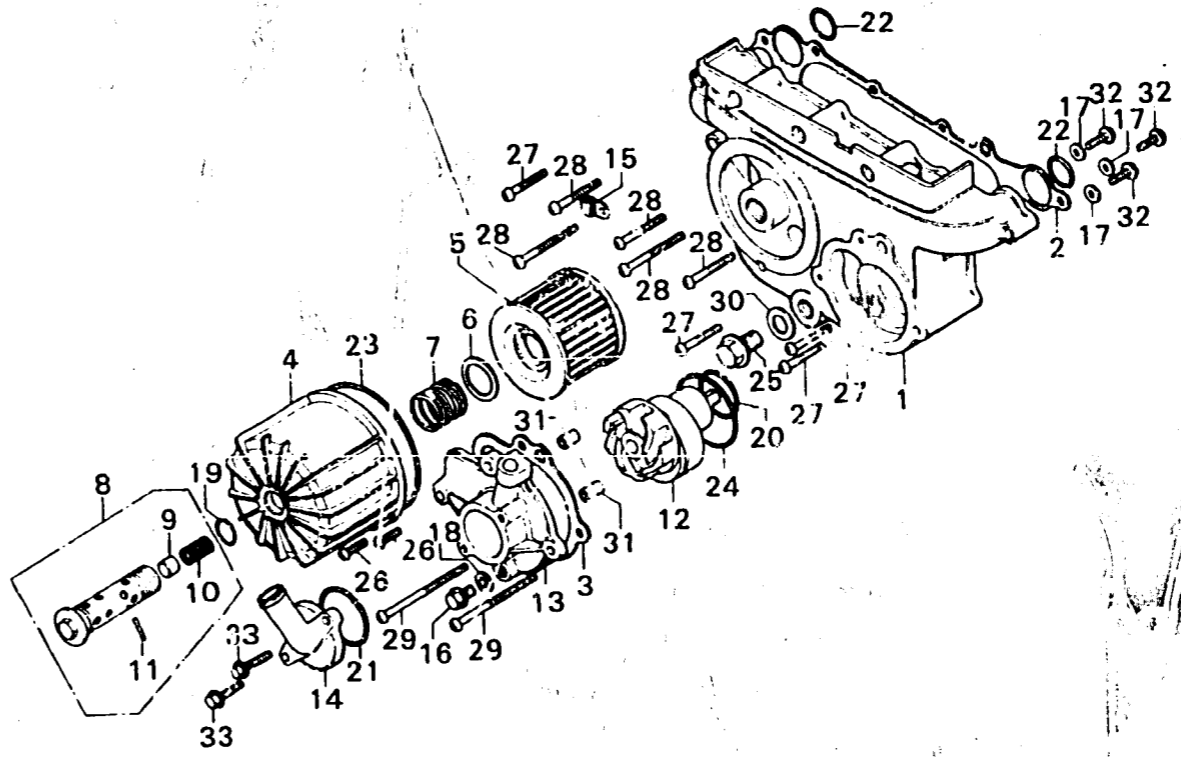


C 16

E-6

Transmission cover •
Water pump • Oil filter



P371-6

Service item	F.R.T.	Ref. No.	Part No.	Description	Reqd. No.				Serial No.	Area code
					GL1000	GL1000	LTD	K1 K2		
		21	91305-216-000	O-RING, 46X2	1	1	1	1		
		22	91312-371-003	O-RING, 23X2.1	2	2	2	2		
		23	91316-300-005	O-RING, 89X4.5	1	1	1	1		
		24	91356-706-000	O-RING, 56X2.4	1	1	1	1		
		25	92800-14000	SOLT, DRAIN PLUG, 14MM	1		1	1		
			90045-371-980	BOLT, DRAIN PLUG, 14MM		1				
		26	93500-06020	SCREW, PAN, 6X20	2					
			95700-06022-00	BOLT, FLANGE, 6X22	2				1009338	1009338
			90142-371-980	BOLT, FLANGE, 6X22		2	2	2	1009339	
		27	93500-06035	SCREW, PAN, 6X35	4		4	4		
			90055-371-980	SCREW, PAN, 6X35		4				
		28	93500-06055	SCREW, PAN, 6X55	5		5	5		
			90056-371-980	SCREW, PAN, 6X55		5				
		29	93500-06080	SCREW, PAN, 6X80	2					
			95700-06080-00	BOLT, FLANGE, 6X80	2				1009339	1009338
		30	94109-14000	WASHER, DRAIN PLUG, 14MM	1	2	2	2		
					1	1	1	1		
		31	94201-08140	PIN A, DOWEL, 8X14	2	2	2	2		
		32	95700-06018-00	BOLT, FLANGE, 6X18	3	3	3	3		
		33	95700-06022-00	BOLT, FLANGE, 6X22	2		2	2		
			90142-371-980	BOLT, FLANGE, 6X22		2				

1979.04.10

C16