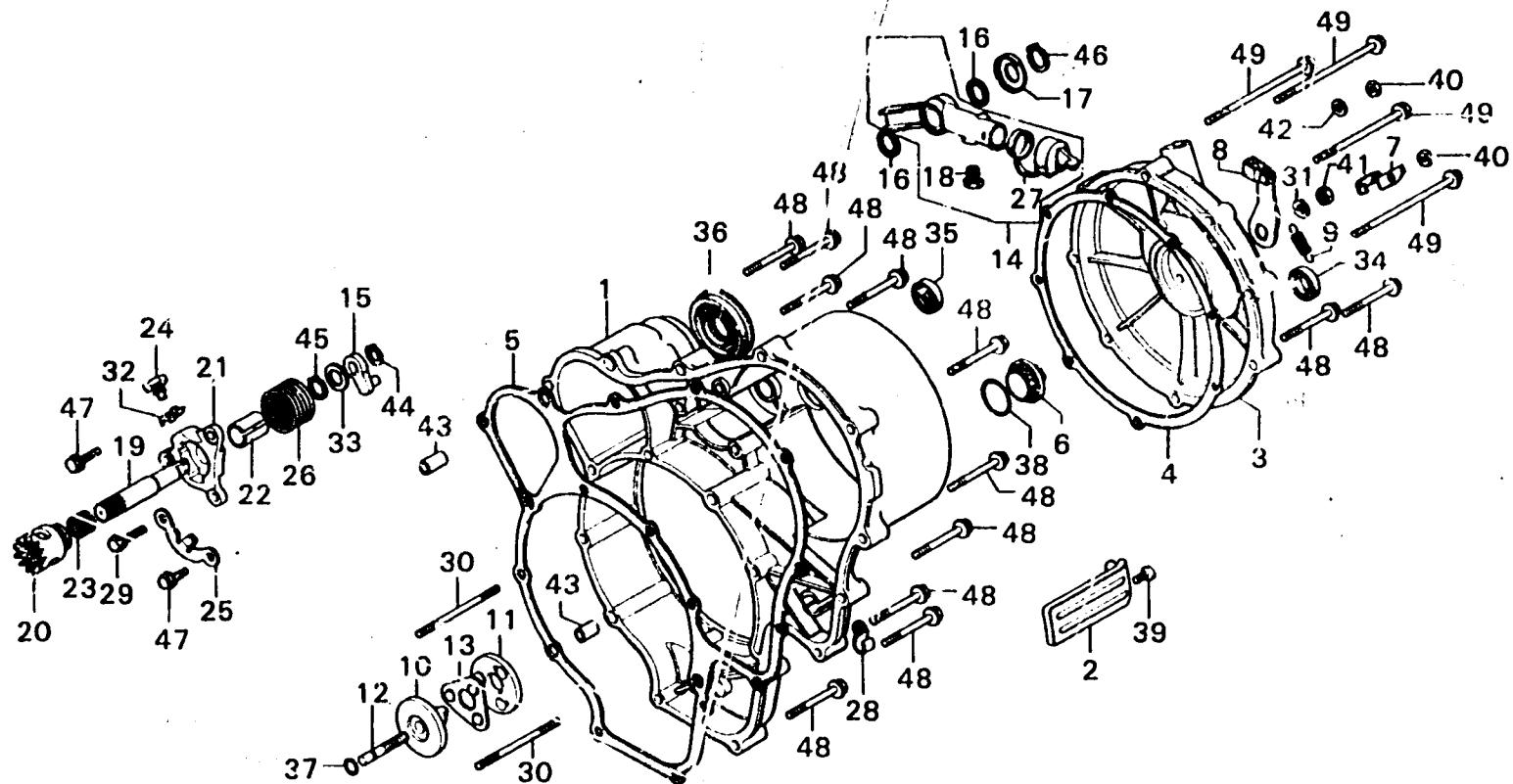


D 4

E-8

**Kick starter • Clutch cover •
Rear case**



B371-8

Service item	F.R.T.	Ref. No.	Part No.	Description	Reqd. No.				Serial No.	Area code
					GL1000	GL1000	LTDK1	K2		
REAR CASE COMP	3.8	1	11310-371-000	CASE COMP., RR.	1				1020727	
KICK STATER SHAFT and its related parts •25 x 54 x 7 OIL SEAL	3.4		11310-371-010	CASE COMP., RR.	1				1020728	
REAR CASE GASKET	3.2		11310-371-980	CASE COMP., RR.		1	1			
KICK JOINT ASSY./KICK STATER ARM	3.0	2	11315-371-000	INSULATOR COMP., HEAT	1	1				
CLUTCH COVER/CLUTCH LEVER and those related parts	1.1		11315-371-980	INSULATOR COMP., HEAT		1				
6 x 93 STUD BOLT •Add 0.1	1.0	3	11315-371-010	INSULATOR COMP., HEAT				1		
CLUTCH COVER GASKET	0.9		11342-371-000	COVER, CLUTCH	1		1	1		
HEAT INSULATOR	0.1		11342-371-980	COVER, CLUTCH	1	1				
		4	11393-371-000	GASKET, CLUTCH COVER	1	1	1	1		
		5	11394-371-000	GASKET, RR, CASE	1	1	1	1		
		6	12361-035-000	CAP, TAPPET ADJUSTING HOLE	1	1	1	1		
			12361-371-980	CAP, TAPPET ADJUSTING HOLE		1				
		7	15707-371-000	CLIP, OIL DRAIN TUBE	1	1	1	1		
		8	22810-371-000	LEVER COMP., CLUTCH	1	1	1	1		
		9	22815-300-000	SPRING, CLUTCH LEVER	1	1	1	1		
		10	22820-371-000	SHAFT, CLUTCH RELEASE	1	1	1	1		
		11	22830-371-000	CAM COMP., CLUTCH LIFTER	1	1	1	1		
		12	22841-300-000	BOLT, CLUTCH ADJUSTING	1	1	1	1		
		13	22860-300-006	RETAINER COMP., CLUTCH BALL	1	1	1	1		
		14	28240-371-000	JOINT ASSY., KICK	1		1	1		
			28240-371-980	JOINT ASSY., KICK		1				
		15	28242-371-000	ARM, KICK STARTER	1	1	1	1		
		16	28246-371-000	DUST SEAL, JOINT	2	2	2	2		
		17	28247-371-000	CAP, DUST SEAL	1		1	1		
			28247-371-980	CAP, DUST SEAL		1				

1979.04.10

D4