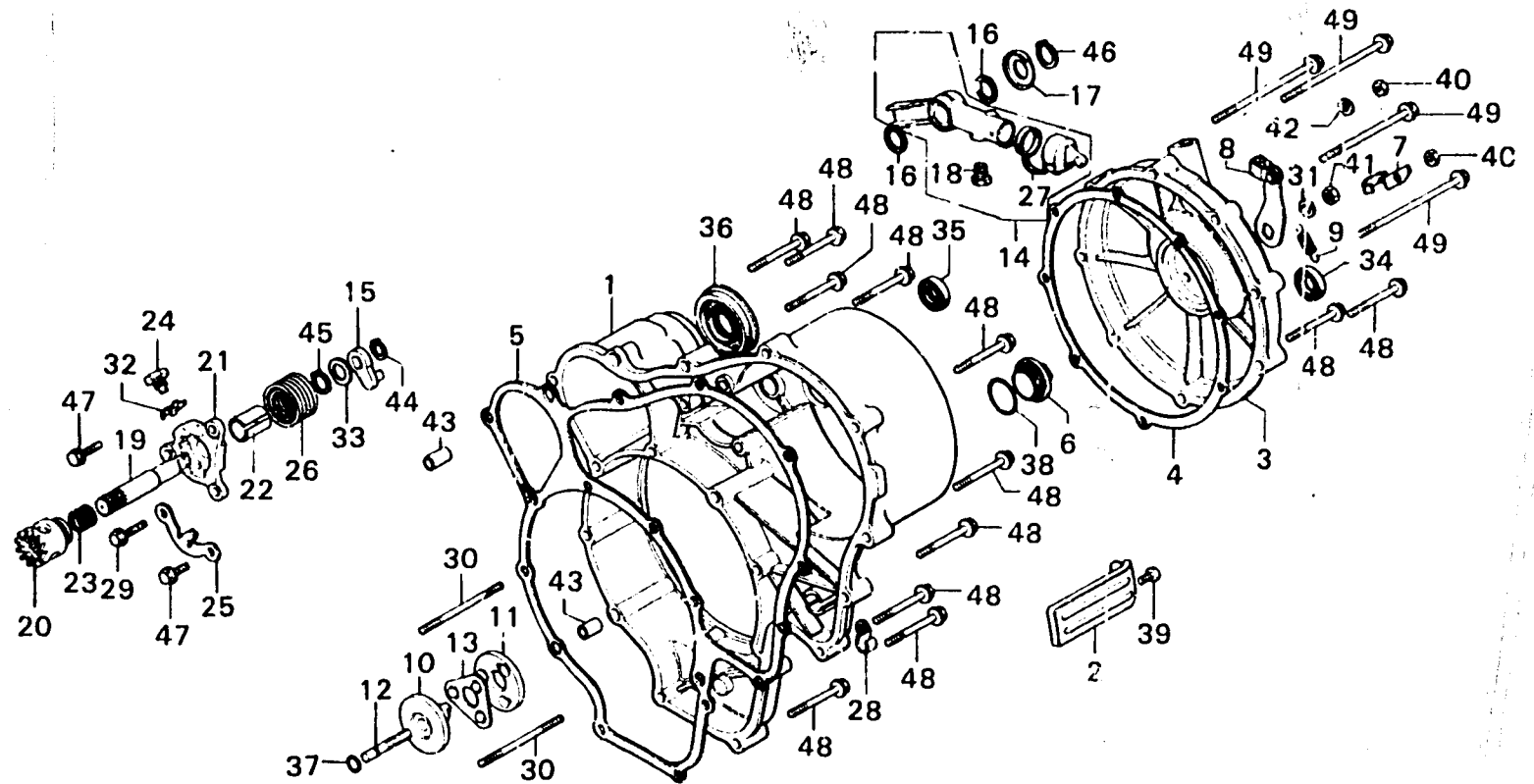




E-8

Kick starter • Clutch cover •  
Rear case



B371-8

Service item	F.R.T.	Ref. No.	Part No.	Description	Reqd. No.			Serial No.	Area code
					GL1000	GL1000 LTDK1 K2			
		18	28248-371-000	BOLT ASSY., 10MM	1	1	1		
			28248-371-980	BOLT ASSY., 10MM		1			
		19	28251-371-000	SHAFT, KICK STARTER	1	1	1		
		20	28252-371-000	RATCHET A, STARTER	1	1	1		
		21	28254-371-000	FLANGE, RATCHET	1	1	1		
		22	28255-371-000	COLLAR, KICK SHAFT	1	1	1		
		23	28256-371-000	SPRING, KICK RETURN	1	1	1		
		24	28257-371-000	BOLT, KICK GUIDE	1	1	1		
		25	28258-371-000	PLATE, KICK GUIDE	1	1	1		
		26	28261-371-000	SPRING, KICK STARTER	1	1	1		
		27	28302-371-000	CAP, KICK JOINT	1	1	1		
		28	32117-371-000	CLAMPER A, CRD	1	1	1		
		29	90006-371-000	BOLT, SPECIAL, 6X27	1	1	1		
		30	90028-371-004	BOLT, STUD, 6X93	2	2	2		
		31	90402-822-000	WASHER, HEAD, 8MM	1	1	1		
		32	90416-371-000	WASHER, KICK BOLT	1	1	1		
		33	90453-286-003	WASHER, 18MM (KOYO)	1	1	1		
		34	91202-216-003	OIL SEAL, 14X24X5	1	1	1		
		35	91204-286-003	OIL SEAL, 18X29X7	1	1	1		
		36	91204-371-003	OIL SEAL, 25X54X7	1	1	1		
			91204-371-005	OIL SEAL, 25X54X7	1	1	1		
		37	91301-283-003	O-RING, 5X2.4	1	1	1		
		38	91302-001-020	O-RING, 30.8MM	1	1	1		
		39	93500-06008	SCREW, PAN, 6X8	1		1		
			90053-371-980	SCREW, PAN, 6X8		1			
		40	94001-06000-05	NUT, HEX., 6MM	2		2		

1979.04.10

D5