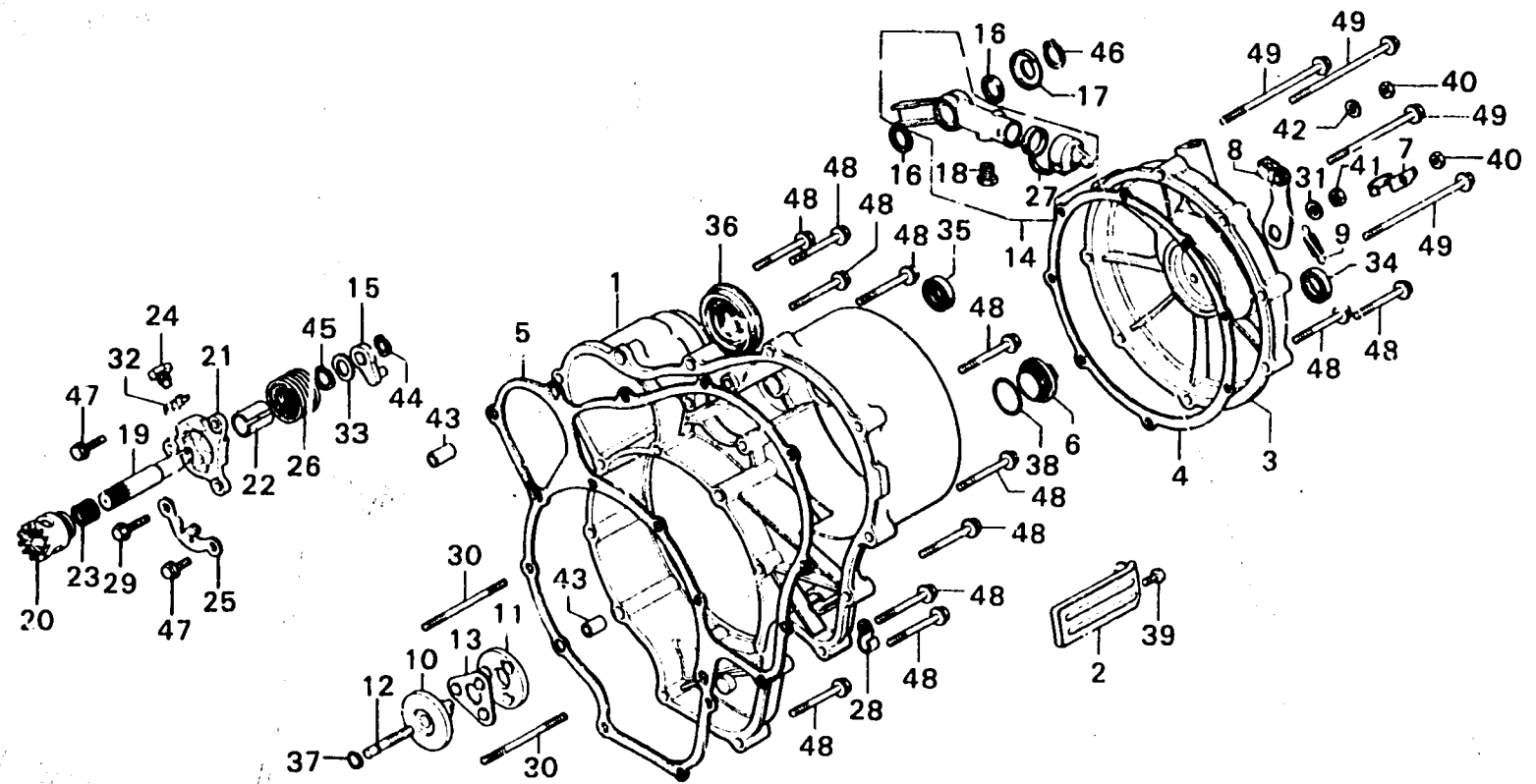


D 6

E-8

**Kick starter • Clutch cover •
Rear case**



B371-8

Service item	F.R.T.	Ref. No.	Part No.	Description	Reqd. No.		Serial No.	Area code
					GL1000	GL1000 LTD K1 K2		
			90071-371-980	NUT, HEX., 6MM		2		
		41	94002-08000-05	NUT, HEX., 8MM	1	1 1 1		
		42	94101-06000	WASHER, PLAIN, 6MM	1	1 1		
			90081-371-980	WASHER, PLAIN, 6MM		1		
		43	94301-08240	PIN A, DOWEL, 8X14	2	2 2 2		
		44	94510-16000	CIR CLIP, EXTERNAL, 16	1	1 1 1		
		45	94510-18000	CIR CLIP, EXTERNAL, 18	1	1 1 1		
		46	94510-20000	CIR CLIP, EXTERNAL, 20	1	1 1 1		
		47	95700-06018-00	BOLT, FLANGE, 6X18	2	2 2 2		
		48	95700-06035-00	BOLT, FLANGE, 6X35	13	13 13		
			90146-371-980	BOLT, FLANGE, 6X35		13		
		49	95700-06085-00	BOLT, FLANGE, 6X85	4	4 4		
			90149-371-980	BOLT, FLANGE, 6X85		4		

1979.04.10

D6