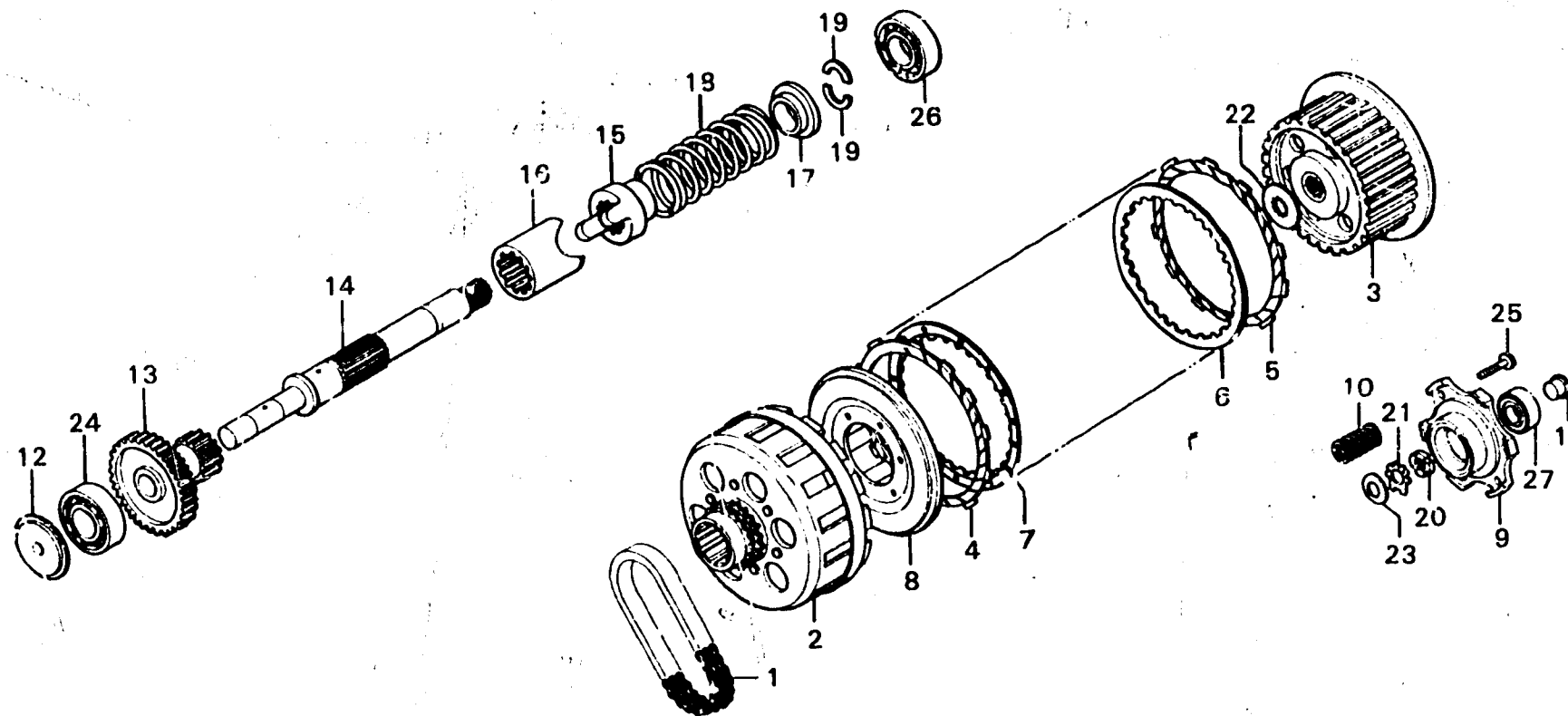


D 7

E-9

Clutch • Final gear shaft



B371-C

Service item	F.R.T.	Ref. No.	Part No.	Description	Reqd. No.			Serial No.	Area code
					GL1000	GL1000 LTD K1 K2			
CLUTCH OUTER COMP./OIL PUMP CHAIN	*3.5	1	15130-371-003	CHAIN, OIL PUMP	1	1	1		
OIL PASS PLATE/BALL BEARING	*3.4	2	22100-371-000	OUTER COMP., CLUTCH	1			1020727	
FINAL DRIVEN GEAR and its related parts	*3.3		22100-371-010	OUTER COMP., CLUTCH	1			1020728	
CLUTCH CENTER/PRESSURE PLATE	1.3		22100-371-060	OUTER COMP., CLUTCH		1		2002383	E,ED,F,G
CLUTCH LIFTER PLATE/CLUTCH SPRING	1.2		22100-371-020	OUTER COMP., CLUTCH		1		2002384	E,ED,F,G
			22100-371-020	OUTER COMP., CLUTCH		1		2038639	E,ED,F,G
			22100-371-020	OUTER COMP., CLUTCH		1		2100001	A,CM,DK,DM,U
		3	22120-371-000	CENTER, CLUTCH	1		1	1020727	
			22120-371-010	CENTER, CLUTCH	1			1020728	
			22120-371-000	CENTER, CLUTCH		1		2002383	E,ED,F,G
			22120-371-313	CENTER, CLUTCH		1		2002384	E,ED,F,G
			22120-371-020	CENTER, CLUTCH		1		2003893	E,ED,F,G
			22120-371-020	CENTER, CLUTCH		1		2003893	A,CM,DK,DM,U
		4	22201-371-000	DISK A, CLUTCH FRICTION	7		1	1020727	
			22201-371-010	DISK A, CLUTCH FRICTION	7			1020728	
			22201-371-000	DISK A, CLUTCH FRICTION		7		2002383	E,ED,F,G
						7		2002384	E,ED,F,G
						7			A,CM,DK,DM,U
		5	22202-371-000	DISK B, CLUTCH FRICTION	1		7	1020727	
			22202-371-010	DISK B, CLUTCH FRICTION	1			1020728	
			22202-371-000	DISK B, CLUTCH FRICTION		1		2002383	E,ED,F,G
						1			A,CM,DK,DM,U
						1			E,ED,F,G
						1		2002384	E,ED,F,G

1979.04.10

07