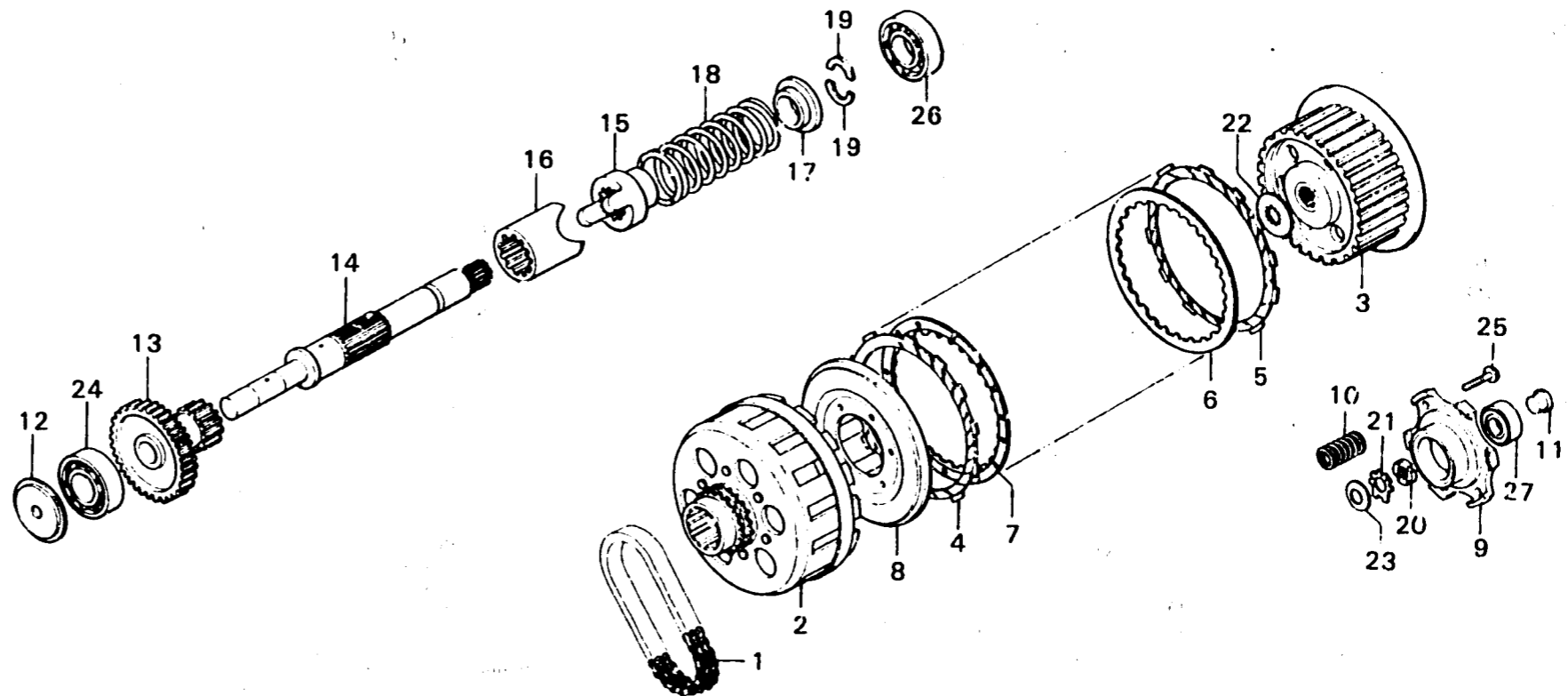


D 8

E-9

Clutch • Final gear shaft



B371-9

Service item	F.R.T.	Ref. No.	Part No.	Description	Reqd. No.				Serial No.	Area code
					GL1000	GL1000	LTD	K1 K2		
		6	22321-283-000	PLATE B, CLUTCH	6				1020727	
			22321-371-010	PLATE, CLUTCH	6				1020728	
			22321-283-000	PLATE B, CLUTCH		6			2002383	E,ED,F,G
						5			2002384	E,ED,F,G
						6				A,CM,DK,DM,U
		7	22322-371-000	PLATE COMP. B, CLUTCH	1	6	6		1020727	
			22322-371-313	PLATE COMP. B, CLUTCH	1				1020728	
			22322-371-000	PLATE COMP. B, CLUTCH		1			2002383	E,ED,F,G
			22322-371-313	PLATE COMP. B, CLUTCH		1			2002384	E,ED,F,G
						1			2019223	A,CM,DK,DM,U
						1			2019224	
						1			2038639	
							1			
		8	22350-371-000	PLATE, PRESSURE	1				1020727	
			22350-371-010	PLATE, PRESSUER	1				1020728	
			22350-371-000	PLATE, PRESSURE		1			2002383	E,ED,F,G
						1			2003893	E,ED,F,G
						1			2003893	A,CM,DK,DM,U
			22350-371-313	PLATE, PRESSUER		1				
						1			2003894	
						1			2100001	
		9	22360-371-000	PLATE, CLUTCH LIFTER	1	1	1	1		
		10	22401-268-000	SPRING, CLUTCH	6	6	6	6		
		11	22846-371-000	PIECE, CLUTCH LIFTER	1	1	1	1		

1979.04.10

D8