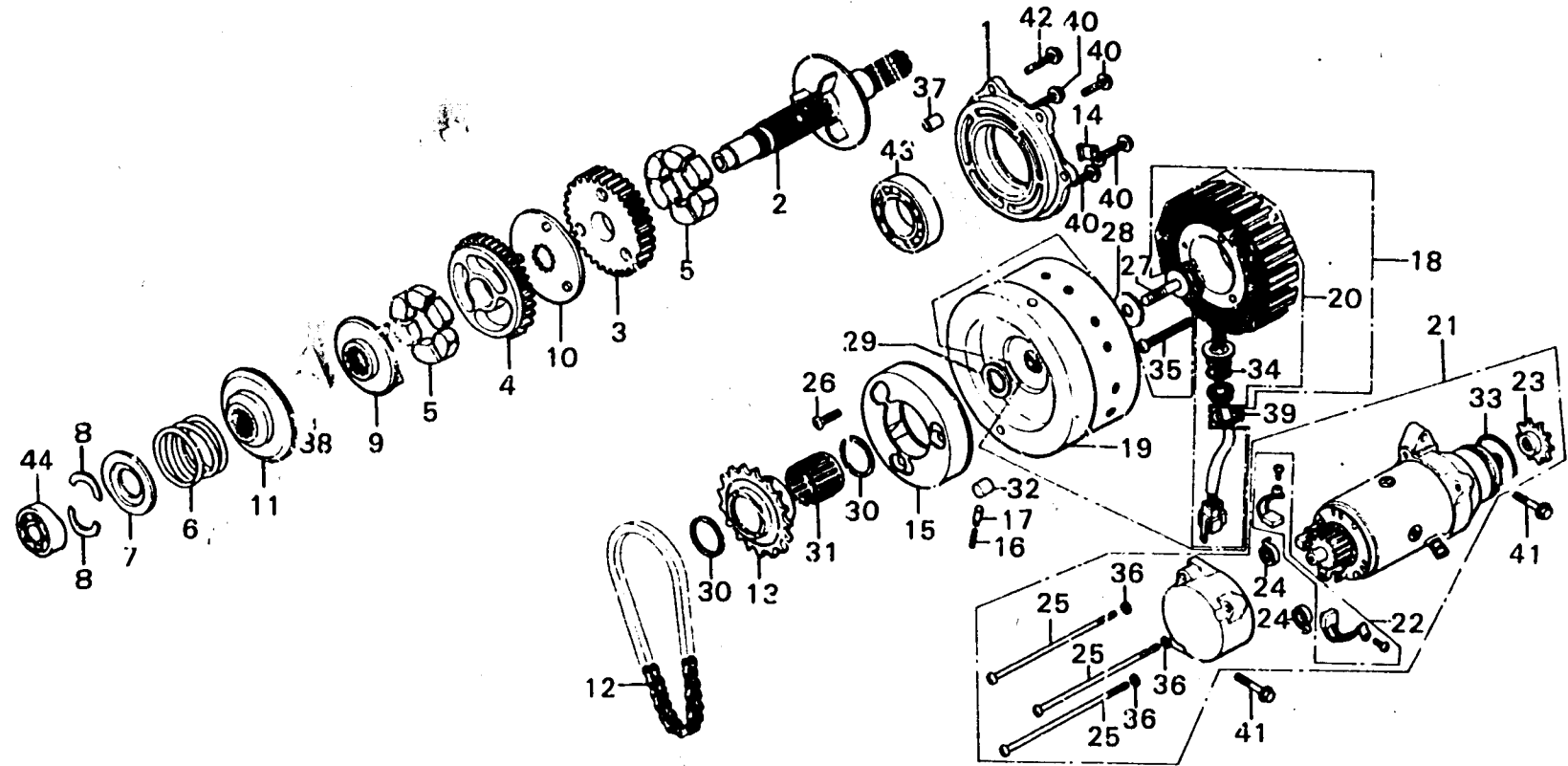


**D 11**

**E-10**

**Generator • Starter motor**



B371-10

Service item	F.R.T.	Ref. No.	Part No.	Description	Reqd. No.		Serial No.	Area code
					GL1000	GL1000 LTD K1 K2		
			31120-371-013	STATOR COMP. (KOKUSAN)		1	2015495	
						1		
		21	31200-371-005	MOTOR ASSY., STARTER	1	1		
			31200-371-980	MOTOR ASSY., STARTER				
		22	31201-292-158	BRUSH SET, CARBON	1	1		
		23	31202-371-005	SPROCKET (MITSUBA)	1	1		
		24	31204-292-158	SPRING, CARBON BRUSH	2	2		
		25	31205-371-005	BOLT, SET (MITSUBA)	3	3		
			31205-371-980	BOLT, SETTING		3		
		26	90015-371-003	SCREW, FLAT, 8X22	3	3		
		27	90023-371-000	BOLT, SET, 12X40	1	1		
		28	90401-371-000	WASHER, 12, 2X33X3.2	1	1		
		29	90454-371-000	WASHER, THRUST, 25X24	1	1		
		30	90605-371-000	CIR CLIP, INTERNAL, 33MM	2	2		
		31	91101-371-006	BEARING, NEEDLE, 28X33X26	1	1		
		32	91101-516-000	ROLLER, 15X13	3	3		
		33	91309-283-005	O-RING, 42.5X2	1	1		
		34	91354-702-000	O-RING, 23MM	1			
			91354-371-000	O-RING, 23MM		1	2015495	2015494
		35	93500-06040	SCREW, PAN, 6X40	3	3		
		36	94111-05000	WASHER, SPRING, 5MM	3	3		
			90085-371-980	WASHER, SPRING, 5MM		3		
		37	94301-08140	PIN A, DOWEL, 8X14	1	1		
		38	94510-28000	CIR CLIP, EXTERNAL, 28	1	1		

1979.04.10

D11