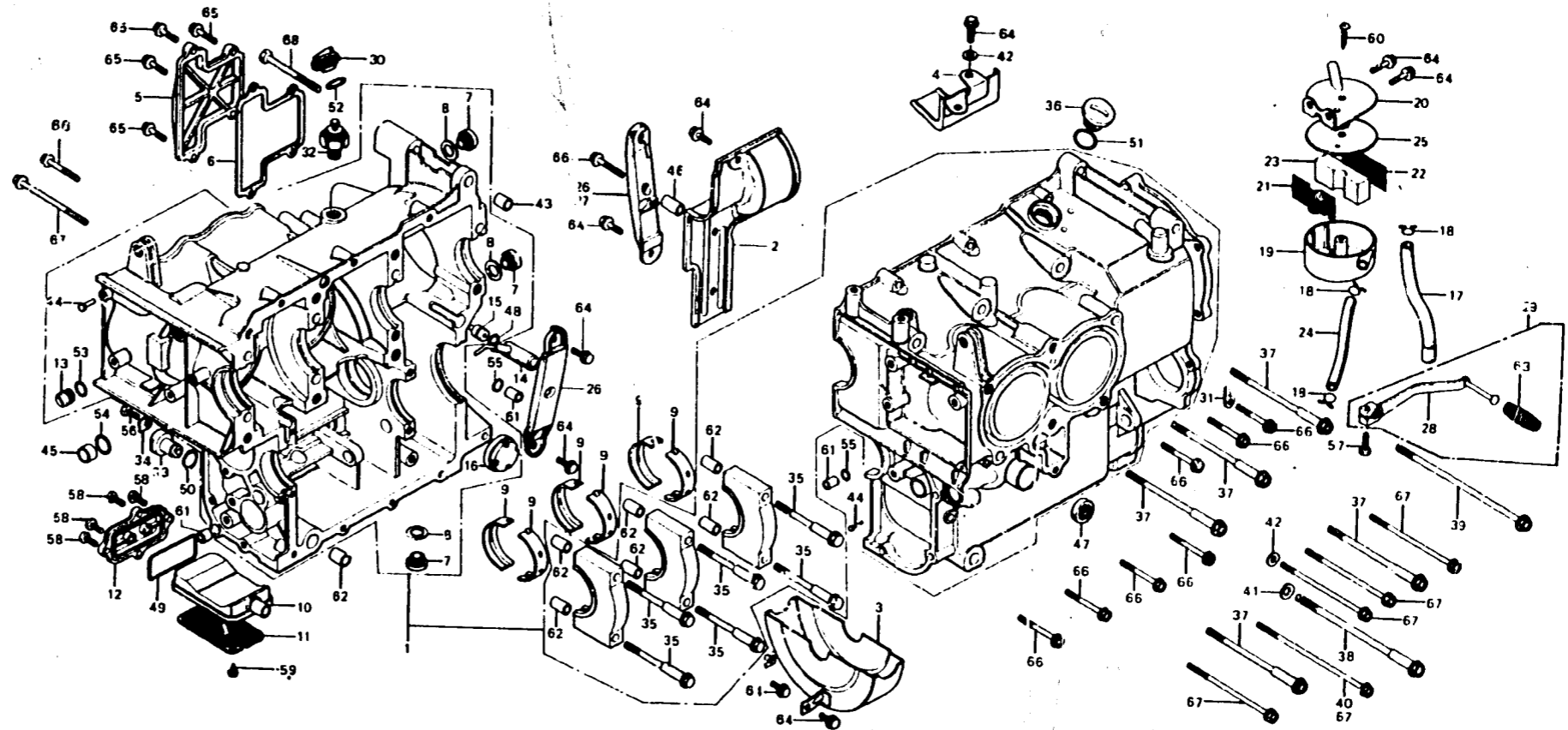


D 13

E-11

Cylinder block · Breather chamber



B371-11

Service item	F.R.T.	Ref. No.	Part No.	Description	Reqd. No.		Serial No.	Area code
					GL1000	GL1000 LTD K1 K2		
CYLINDER BLOCK ASSY.	*10.3	1	11000-371-000	BLOCK ASSY., CYLINDER	1			
MAIN BEARING	*7.4			11000-371-305		1		
*One or all								
OIL LEVEL FINDER	*6.0		11000-371-305	BLOCK ASSY., CYLINDER		1	2002860	E,ED,F,G
BREATHER PLATE COMP.	*5.7		11000-371-020	BLOCK ASSY., CYLINDER		1	2002958	2002957 E,ED,F,G
14 x 28 x 7 OIL-SEAL	*5.3					1	2038639	2038639 E,ED,F,G
PRIMARY CHAIN GUIDE	*5.2		11000-371-040	BLOCK ASSY., CYLINDER		1	2100001	2038639 A,CM,DK,DM,U
*For R. side *6.0								DK,DM,E,ED,F,G,U
•OIL SEPALATE COVER			11000-371-980	BLOCK ASSY., CYLINDER	1	1		DK,DM,E,ED,F,G,U
•OIL SUPPLY NOZZLE			11000-371-050	BLOCK ASSY., CYLINDER		1		A,CM
OIL STRAINER SCREEN and its related parts	*3.0	2	11130-371-000	PLATE COMP., BREATHER	1	1		
•BREATER CHAMBER and its related parts		3	11140-371-000	COVER, OIL SEPARATOR	1	1		
•NEUTRAL SWITCH		4	11220-371-000	GUIDE, OIL		1		A,CM,DK,DM,U
OIL PRESSURE SWITCH	0.2					1		E,ED,F,G
GEAR CHANGE PEDAL	0.1	5	11371-371-000	COVER, FINAL GEAR	1	1	2002860	E,ED,F,G
•BREATHER TUBE B.			11371-371-980	COVER, FINAL GEAR		1		
•FINAL GEAR COVER		6	11372-371-000	GASKET, FINAL GEAR COVER	1			1004306
			11372-371-010	GASKET, FINAL GEAR COVER	1			1004307
		7	12206-611-300	BOLT, SEALING, 18MM	3	1		
			12206-371-300	BOLT, SEALING, 18MM		1		1017465
			12206-371-305	BOLT, SEALING, 18MM	3			1017466
			12216-371-980	BOLT, SEALING, 18MM		3		
		8	12207-611-300	BOLT-WASHER, SEALING	3	3		
		9	13321-371-003	BEARING A, MAIN (BLUE)	6	6		

1979.04.10

D13