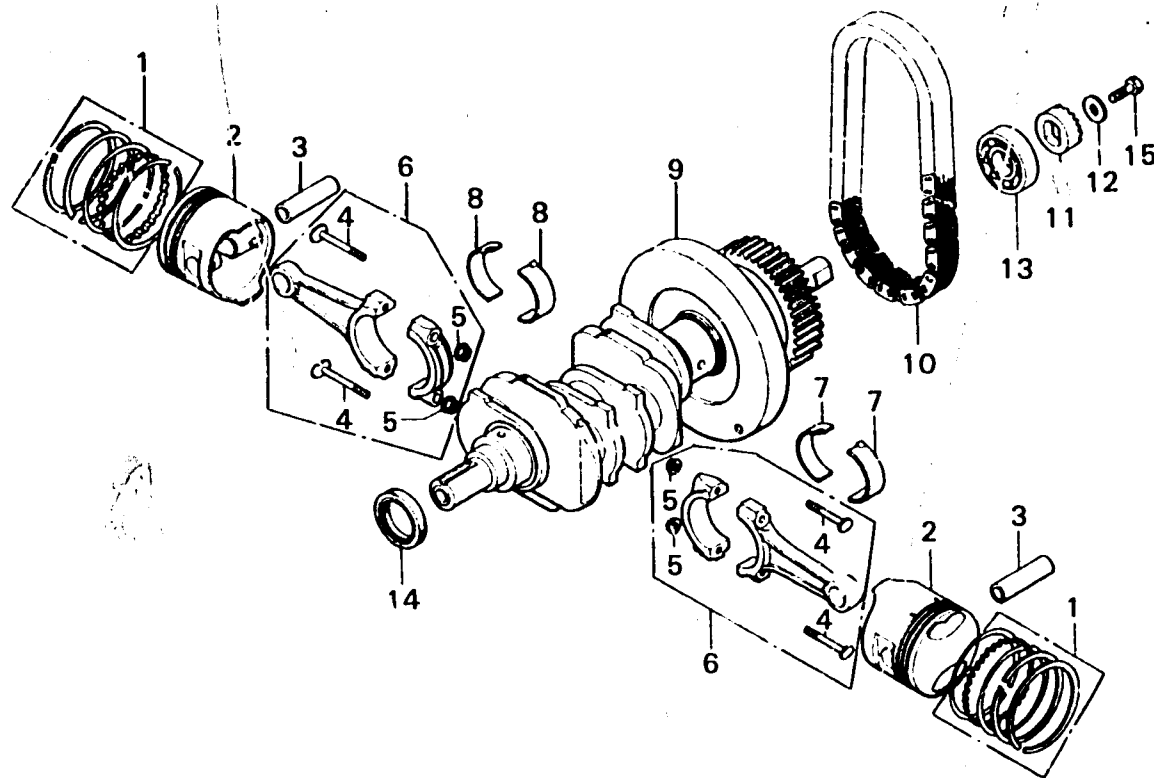


E 4

E-12

Crankshaft • Piston



B371-12

Service item	F.R.T.	Ref. No.	Part No.	Description	Reqd. No.				Serial No.	Area code
					GL1000	GL1000	GL1000	LTDK1 K2		
		3	13112-634-000	PIN, PISTON	4	4	4	4		
		4	13204-634-020	BOLT, CONNECTING ROD	8	8	8	8		
			13204-371-000	BOLT, CONNECTING ROD				8	3019488	3019487
		5	13205-634-010	NUT, CONNECTING ROD	8	8	8	8		
		6	13210-371-000	ROD ASSY., CONNECTING	4	4	4	4		
		7	13215-371-003	BEARING A, CONNECTING ROD	4	4	4	4		
			13216-371-003	BEARING B, CONNECTING ROD (2.4 BLUE)	4	4	4	4		
			13217-371-003	BEARING C, CONNECTING ROD (2.4 BLACK)	4	4	4	4		
			13218-371-003	BEARING D, CONNECTING ROD (2.4 BROWN)	4	4	4	4		
			13219-371-003	BEARING E, CONNECTING ROD (2.4 GREEN)	4	4	4	4		
			13221-371-003	BEARING A, CONNECTING ROD (2.4 YELLOW)	4	4	4	4		
		6	13222-371-003	BEARING B, CONNECTING ROD 1.3 (1.3 BLUE)	4	4	4	4		
			13223-371-003	BEARING C, CONNECTING ROD (1.3 BLACK)	4	4	4	4		
			13224-371-003	BEARING D, CONNECTING ROD (1.3 BROWN)	4	4	4	4		
			13225-371-003	BEARING E, CONNECTING ROD (1.3 GREEN)	4	4	4	4		
			13226-371-003	BEARING A, CONNECTING ROD (1.3 YELLOW)	4	4	4	4		
		9	13310-371-000	CRANKSHAFT COMP.	1	1	1	1		
			13310-371-010	CRANKSHAFT COMP.	1	1	1	1		
		10	23131-371-004	CHAIN, PRIMARY DRIVE	1	1	1	1		

Selection table of connecting rod bearing
(Oil clearance 20~44μm)

Connecting rod I.D. 43φ		(Mark)			
		1	2	3	
Crank pin O.D. 40φ	0	~+0.008	+0.008~+0.016	+0.016~+0.024	
	(Mark) A	0 ~-0.008	E (Yellow)	D (Green)	C (Brown)
	B	-0.008~-0.016	D (Green)	C (Brown)	B (Black)
C	-0.016~-0.024	C (Brown)	B (Black)	A (Blue)	

1979.04.10