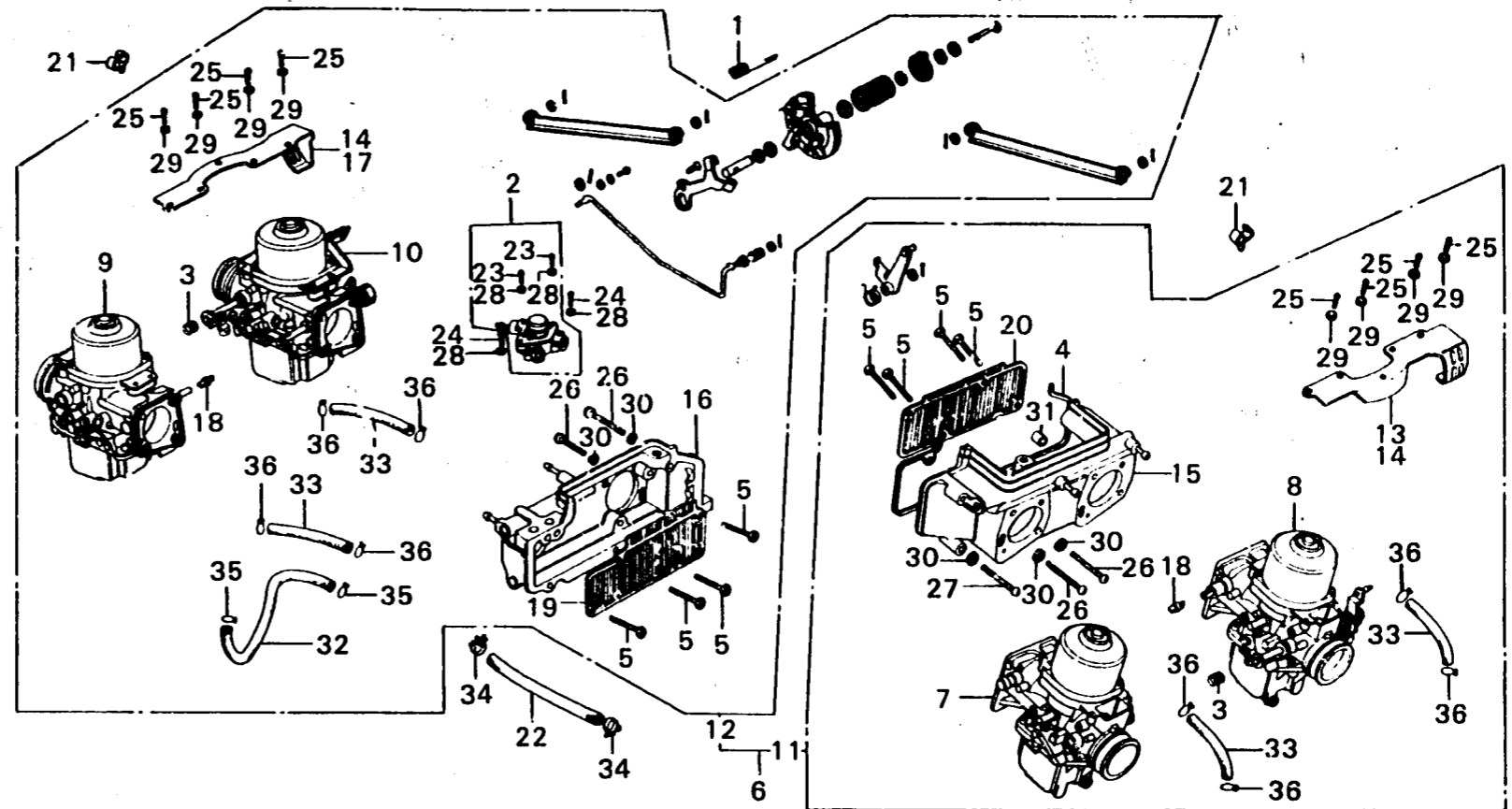


E 12

E-15

Carburetor



B371-15A

Service item	F.R.T.	Ref. No.	Part No.	Description	Reqd. No.		Serial No.	Area code
					GL1000	GL1000 LTOK1 K2		
			16105-371-771	CARBURETOR ASSY., L.		1		A,CM,DK,DM,U
			16105-371-960	CARBURETOR ASSY., L.		1		ED,F,G
			16105-371-980	CARBURETOR ASSY., L.		1		A,CM,U
			16105-371-611	CARBURETOR ASSY., L.		1	2100666	E,ED,F,G
			16105-371-772	CARBURETOR ASSY., L.		1		E,ED,F,G
			16105-371-773	CARBURETOR ASSY., L.		1	3004543	A,CM,DK,DM,U
		12	16106-371-004	CARBURETOR ASSY., R.	1	1		A,CM,DK,DM,U
			16106-371-610	CARBURETOR ASSY., R.		1	2012646	E,ED,F,G
			16106-371-771	CARBURETOR ASSY., R.		1	2012647	E,ED,F,G
			16106-371-960	CARBURETOR ASSY., R.	1	1		A,CM,DK,DM,U
			16106-371-980	CARBURETOR ASSY., R.	1	1		ED,F,G
			16106-371-611	CARBURETOR ASSY., R.		1	2100666	A,CM,U
			16106-371-772	CARBURETOR ASSY., R.		1		E,ED,F,G
			16106-371-773	CARBURETOR ASSY., R.		1	3004543	A,CM,DK,DM,U
		13	16129-371-771	PLATE, L, STAY		1	2012647	A,CM,DK,DM,U
			16129-371-980	PLATE, L, STAY		1		E,ED,F,G
		14	16130-371-004	PLATE, STAY	2	1		A,CM,DK,DM,U
		15	16157-371-004	CHAMBER A, AIR	1	2	2012646	E,ED,F,G
			16157-371-771	CHAMBER A, AIR		1	2012647	E,ED,F,G
						1		A,CM,DK,DM,U

1979.04.10

E12