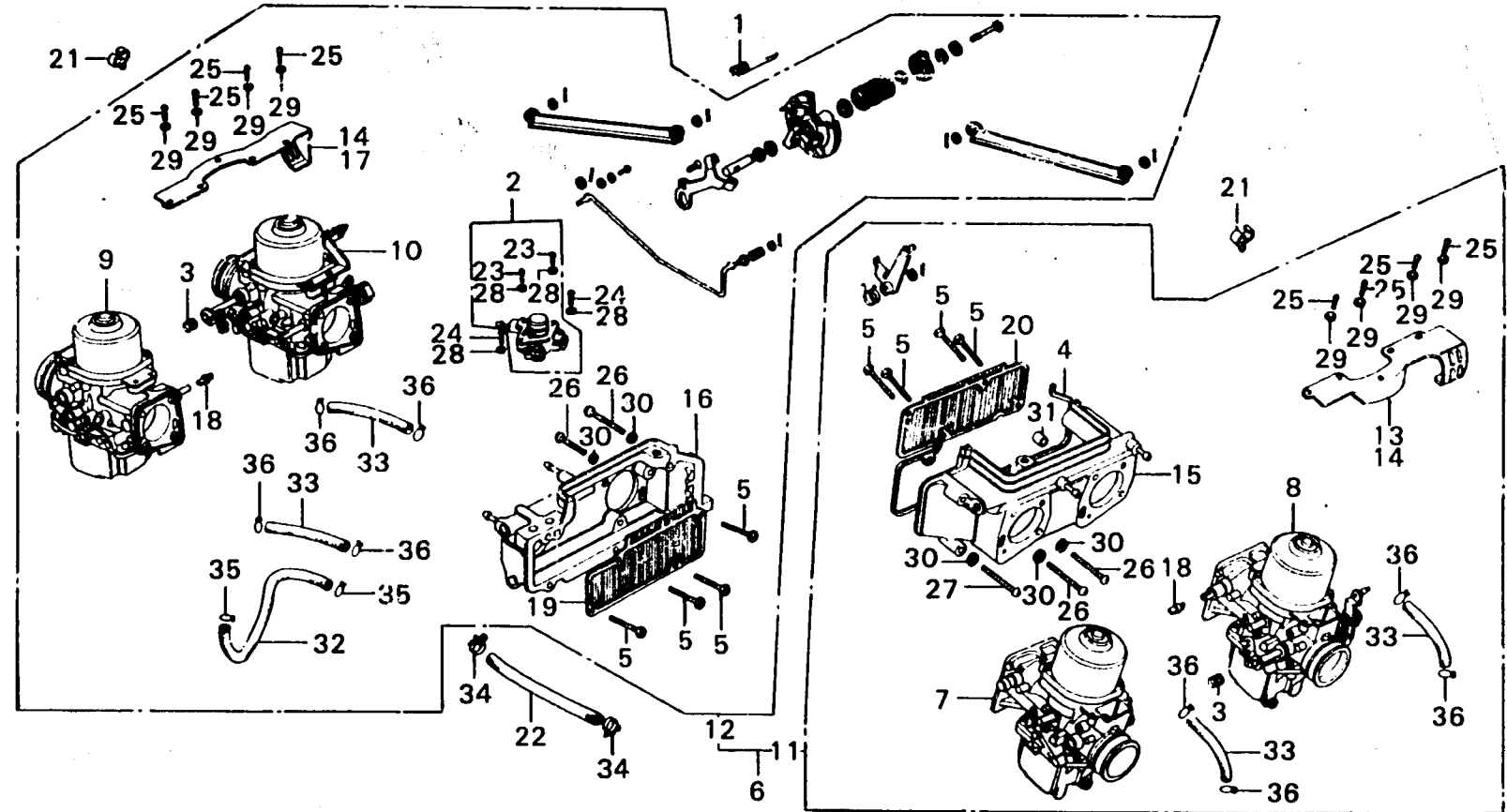


**E 14**

**E-15**

**Carburetor**



B371-15A

Service item	F.R.T.	Ref. No.	Part No.	Description	Reqd. No.				Serial No.	Area code
					GL1000	GL1000	LTD K1	K2		
		33	95001-55100-40	TUBE, FUEL, 5,3X100	4	4	4	4		
		34	95002-01120	CLIP A12, TUBE	2	2	2	2		
		35	95002-02070	CLIP B7, TUBE	2	2	2	2		
		36	95002-02100	CLIP B10, TUBE	8	8	8	8		

1979.04.10

E14