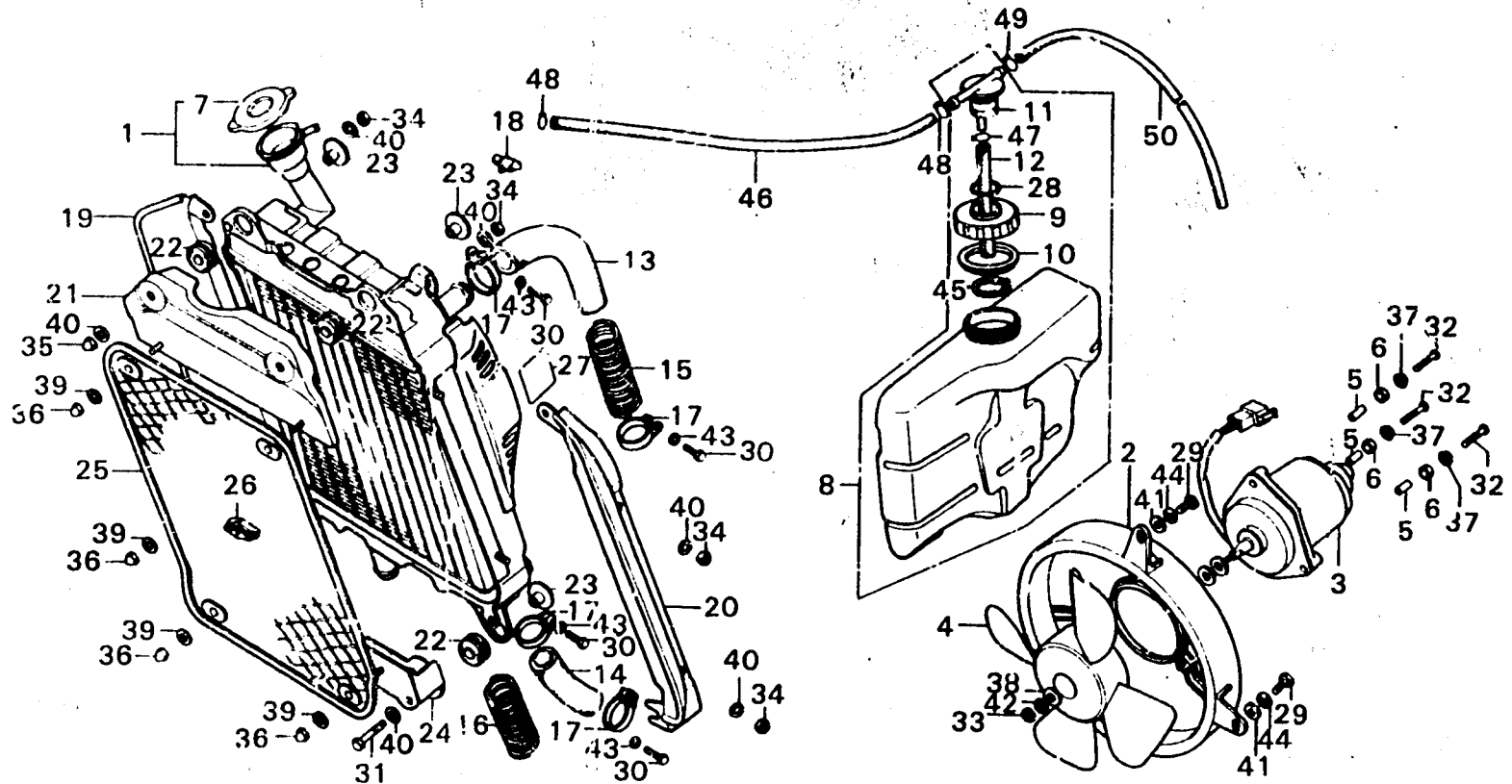


G 2

F-1

Radiator



B371-16

Service item	F.R.T.	Ref. No.	Part No.	Description	Reqd. No.			Serial No.	Area code
					GL1000	GL1000	LTDK1 K2		
RADIATOR COMP.	0.9	1	19010-371-003	RADIATOR COMP. (ND)	1	1	1		
FAN MOTOR and its related parts	0.7		19010-371-980	RADIATOR COMP.		1			
WATER HOSE	0.6	2	19020-371-003	SHROUD COMP. (ND)	1	1	1		
•Add 0.1			19020-371-980	SHROUD COMP.		1			
RADIATOR COVER COMP.	0.6	3	19030-634-003	MOTOR, FAN	1	1	1	1	
•One or all		4	19040-371-003	FAN COMP., COOLING (ND)	1	1	1	1	
RADIATOR GRILL/UPPER COVER/ LOWER COVER	0.1	5	19040-611-003	BUSH	3	3	3	3	
•RESERVE TANK ASSY. and its related parts		6	19041-611-003	RUBBER, BUSHING	3	3	3	3	
		7	19045-634-003	CAP, RADIATOR FILLER	1	1	1	1	
			19045-371-980	CAP, RADIATOR FILLER		1			
		8	19101-371-000	TANK ASSY., RESERVE	1	1	1	1	
		9	19104-371-000	CAP, RESERVE TANK	1	1	1	1	
		10	19105-371-000	PACKING, RESERVE TANK	1	1	1	1	
		11	19107-371-000	JOINT, RESERVE TANK	1	1	1	1	
		12	19108-371-000	TUBE, FUEL, 7.5X120	1	1	1	1	
		13	19501-371-000	HOSE, WATER UPPER	1	1	1	1	
		14	19502-371-000	HOSE, UNDER WATER	1	1	1	1	
		15	19511-371-000	GUARD A, WIRE	1	1	1	1	
			19511-371-980	GUARD A, WIRE		1			
		16	19512-371-000	GUARD B, WIRE	1	1	1	1	
			19512-371-980	GUARD B, WIRE		1			
		17	19515-371-000	BAND A, HOSE	4	4	4	4	
			19515-372-980	BAND A, HOSE		4			
		18	19519-371-000	COVER, HOSE BAND	1	1	1	1	
		19	85100-371-3052A	COVER COMP., R. RADIATOR *	1				
				R-6C-5 *					

1979.04.10

G2