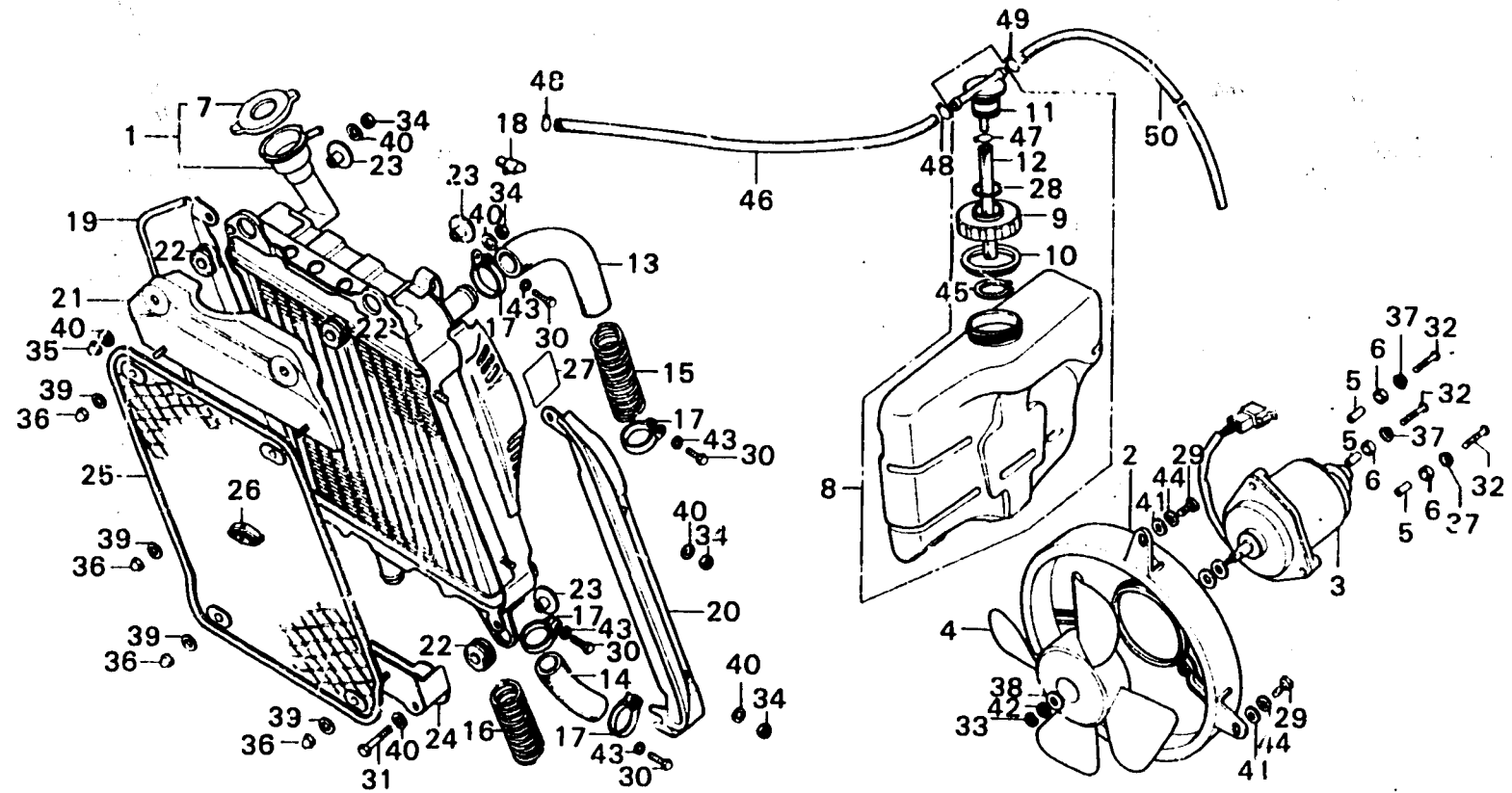


**G 4**

**F-1**

**Radiator**



B371-16

Service item	F.R.T.	Ref. No.	Part No.	Description	Reqd. No.			Serial No.	Area code
					GL1000	GL1000 LTDK1	K2		
			85120-371-6612B	COVER COMP., L. RADIATOR		1			
				*NH-1*					
			85120-371-6612C	COVER COMP., L. RADIATOR		1			
				*PB-6C-S*					
		21	85200-371-000	COVER, RADIATOR UPPER	1	1	1		
			85200-371-980	COVER, RADIATOR UPPER		1			
		22	85201-371-000	RUBBER, RADIATOR MOUNT	4	4	4		
		23	85202-371-000	COLLAR, RADIATOR SET	4	4	4		
		24	85300-371-000	COVER, RADIATOR LOWER	1	1	1		
			85300-371-980	COVER COMP., RADIATOR LOWER		1			
		25	85400-371-000	GRILLE, RADIATOR	1	1	1		
		26	85401-371-000	GROMMET, RADIATOR GRILLE	1	1	1		
		27	87509-371-670	LABEL, SHROUD FAN	1	1	1		
		28	91302-028-000	O-RING, 15X2.5	1	1	1		
		29	92000-06010-08	BOLT, HEX., 6X10	3	3	3		
			91502-371-780	BOLT, HEX., 6X10		3			
		30	92000-06020-07	BOLT, HEX., 6X20	4				
			95700-06020-07	BOLT, FLANGE, 6X20		4		2025599	
			95700-06020-08	BOLT, FLANGE, 6X20		4		2025600	
		31	92000-06025-07	BOLT, HEX., 6X25	2	2	2		
			92000-06025-08	BOLT, HEX., 6X25					
		32	93500-04018-0H	SCREW, PAN, 4X18	3	3	3		
		33	94001-05080-0S	NUT, HEX., 5MM	1	1	1		
		34	94002-06070	NUT, HEX., 6MM	8	8	8		
			91540-371-980	NUT, CAP, 6MM		8			
			1979.04.10						
					G4				