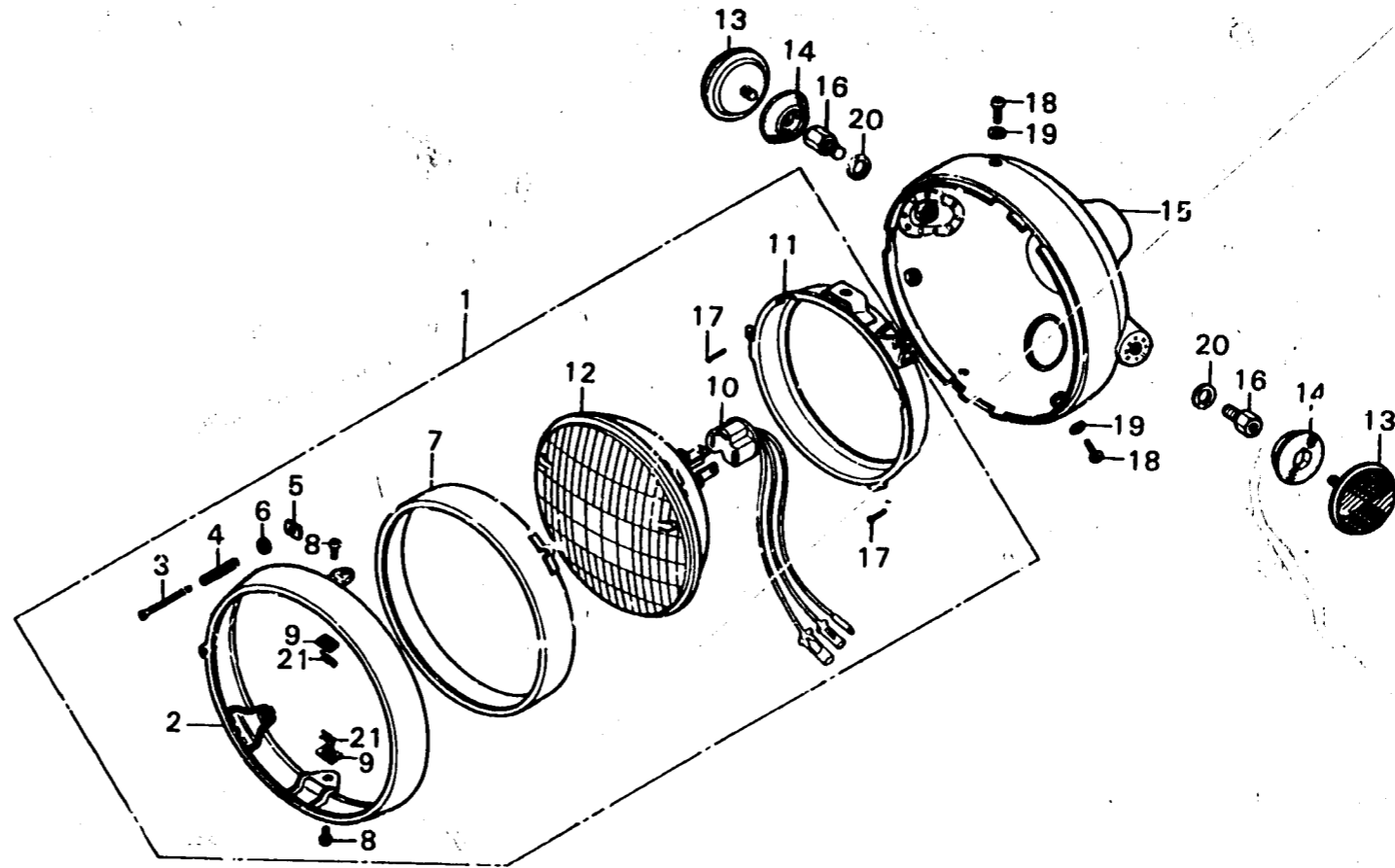


G 11

F-3

**Headlight
(A,CM)**



B371-18

Service item	F.R.T.	Ref. No.	Part No.	Description	GL1000	Reqd. No. GL1000 LTDK1 K2	Serial No.	Area code
HEAD LIGHT CASE	0.3	1	33100-371-672	HEADLIGHT ASSY. (12V50/40W STANLEY)	1	1 1		A,CM
SEALED BEAM UNIT and its related parts	0.2		33100-371-980	HEADLIGHT ASSY.		1		A,CM
HEAD LIGHT ASSY./HEAD LIGHT CORD SOCKET	0.1	2	33101-300-673	RIM, HEADLIGHT	1	1 1		A,CM
			33101-371-980	RIM, HEADLIGHT		1		A,CM
		3	33103-346-670	SCREW, BEAM ADJUST	1	1 1		A,CM
			33103-371-980	SCREW, BEAM ADJUST		1		A,CM
		4	33107-300-003	SPRING, HEADLIGHT BEAM ADJUSTING	1	1 1 1		A,CM
		5	33117-001-023	NUT, HEADLIGHT BEAM ADJUSTING	1	1 1 1		A,CM
		6	33119-371-003	WASHER, BEAM ADJUST	1	1 1 1		A,CM
		7	33121-375-671	RING, RETAINING	1	1 1		A,CM
			33121-371-980	RING, RETAINING		1		A,CM
		8	33125-292-670	SCREW, UNIT HOLDER	2	2 2		A,CM
		9	33128-292-670	NUT, UNIT HOLDER	2	2 2		A,CM
		10	33130-300-671	SOCKET COMP., HEADLIGHT CORD	1	1 1 1		A,CM
		11	33153-375-671	RING, MOUNTING	1	1 1		A,CM
		12	33321-371-672	BEAM UNIT, SEALED (12V50/40W STANLEY)	1	1 1 1		A,CM
		13	33741-340-670	REFLECTOR, FR, REFLEX	2	2 2		A,CM
			33741-371-980	REFLECTOR, FR, REFLEX		2		A,CM
		14	33743-375-000	BASE, FR, REFLECTOR	2	2 2		A,CM
		15	61301-371-003	CASE, HEADLIGHT (STANLEY)	1	1 1		A,CM
			61301-371-980	CASE, HEADLIGHT		1		A,CM
		16	90120-371-000	BOLT, HEADLIGHT STAY	2	2 2 2		A,CM
		17	93500-03012-0A	SCREW, PAN, 3X12	2	2 2 2		A,CM
		18	93500-03016-0B	SCREW, PAN, 3X16	3	3 3 3		A,CM

1979.04.10

G11